

## PRODUCT SPECIFICATION FOR INFORMATION

PRELIMINARY SPECIFICATION

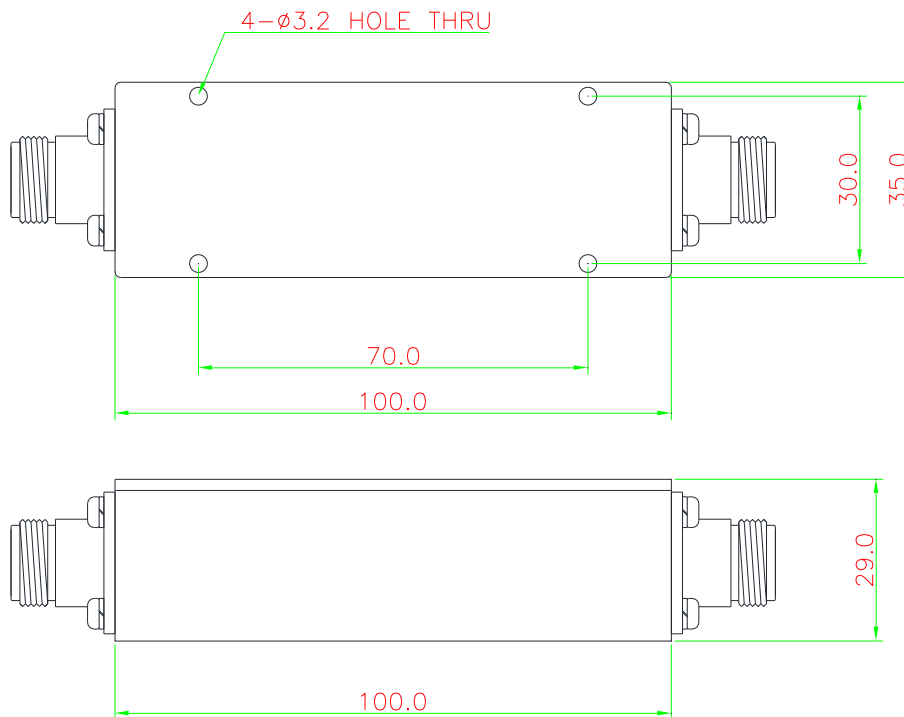
**Product Name: Low Pass Filter**

**Part No: MLP-C195\_30MN-A-R0**

### ■ History List

No.	Rev. No.	Description	Date	Author	Final Approver
1	R0	Draft	2022.07.26	Bryan Jeon	Michael Jeon

## ■ Mechanical Drawing



**Note**

1. Connector: N-Type (F)
2. Finish: Black Epoxy

## ■ Electrical Specification

Parameter	Specification	Remark
1. Pass Band Frequency	180-210MHz	
2. Insertion Loss	0.3dB Max.	
3. VSWR	1.3:1 Max.	
4. Rejection	50dB Min. @ 2 <sup>nd</sup> and 3 <sup>rd</sup> harmonic	
5. In/Out Impedance	50 $\Omega$	
6. Power Handling	700W peak, 20% duty of 4ms pulse width	
7. Size	100 x 35 x 29 mm	
8. Temperature Range	-20°C to +65°C	

Remarks: This is a preliminary datasheet for reference.

## ■ Simulation Curve

