

PRODUCT SPECIFICATION FOR INFORMATION

PRELIMINARY SPECIFICATION

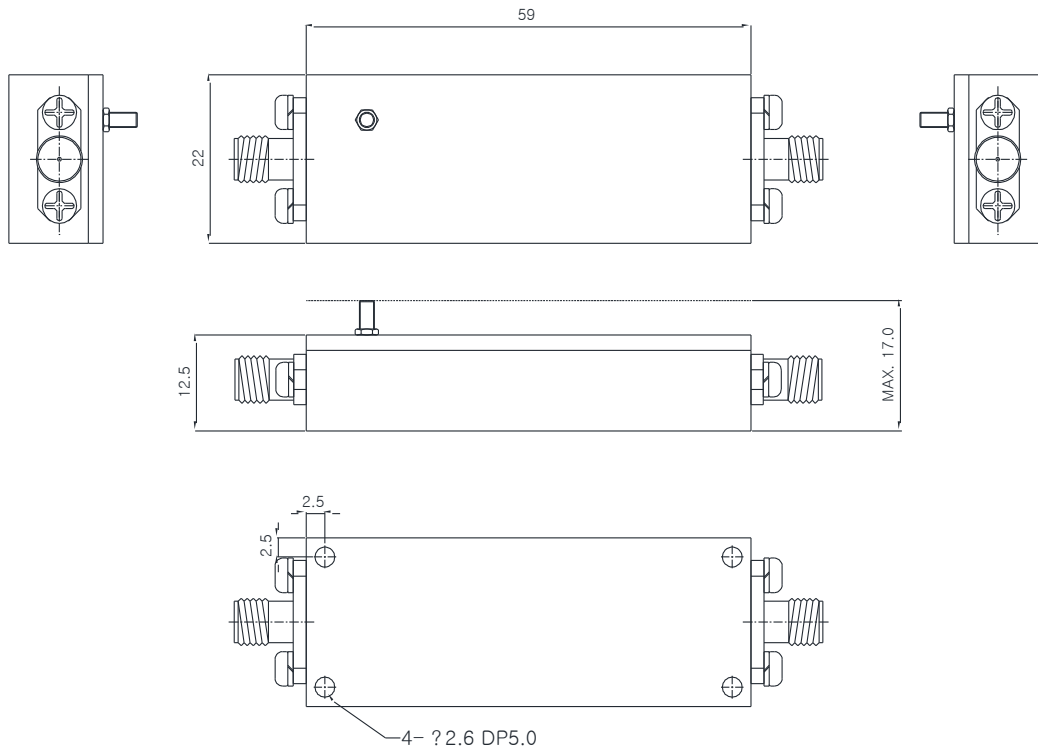
Product Name: C-High band BPF

Part No: MBP-C7600_1.8GS-A-R0

■ History List

No.	Rev. No.	Description	Date	Author	Final Approver
1	R0	Draft	2022.05.19	Bryan Jeon	Michael Jeon

■ Mechanical Drawing



Note

1. Connector: SMA(F)
2. Finish : Black epoxy
3. Weight : 300g

■ Electrical Specification

Parameter	Specification	Remark
1. Center Frequency	7600MHz	
2. Bandwidth	Fc ±900MHz[6700~8500MHz]	
3. Insertion Loss in BW	0.5dB Max.	
4. Ripple in BW	0.3dB Max.	
5. Return Loss in BW	15dB Min.	
6. Attenuation	45dB Min. @ DC~6200MHz	
	45dB Min. @ 8800~12000MHz	
7. In/Out Impedance	50Ω	
8. Power Handling	10W	
9. Connector	SMA(f)	
10. Dimension	59.0x22.0x17.0 mm	
11. Temperature Range	-40°C to +71°C	

Remarks: This is a preliminary datasheet for reference.

Simulation Curve

