

PRELIMINARY SPECIFICATION

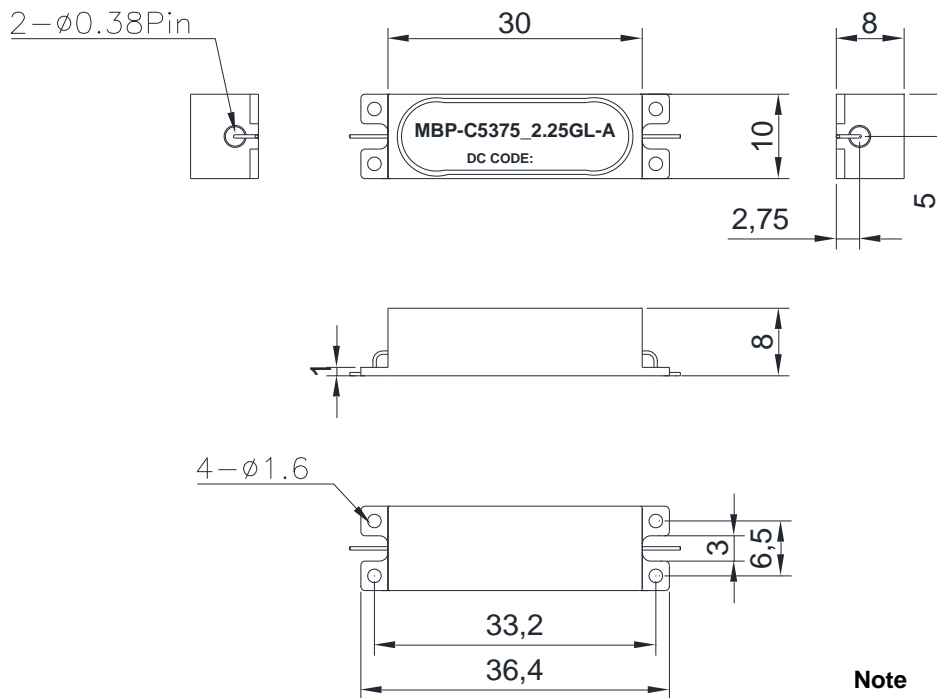
Product Name : LC Band Pass Filter

Part No : MBP-C5375_2.25GL-A-R3

.	Rev. No.	Description	Date	Author	Final Approver
1	A	Draft	2020.12.08	Bryan Jeon	Michael Jeon
2	-	Added the simulation curve	2021.06.04	Bryan Jeon	Michael Jeon
3	-	Temperature range has been changed from -20deg/+60deg to -30deg/+70deg	2021.06.16	Bryan Jeon	Michael Jeon
4	-	Has changed filter dimension	2021.07.22	Bryan Jeon	Michael Jeon

PRODUCT SPECIFICATION FOR INFORMATION

■ Mechanical Drawing



Note

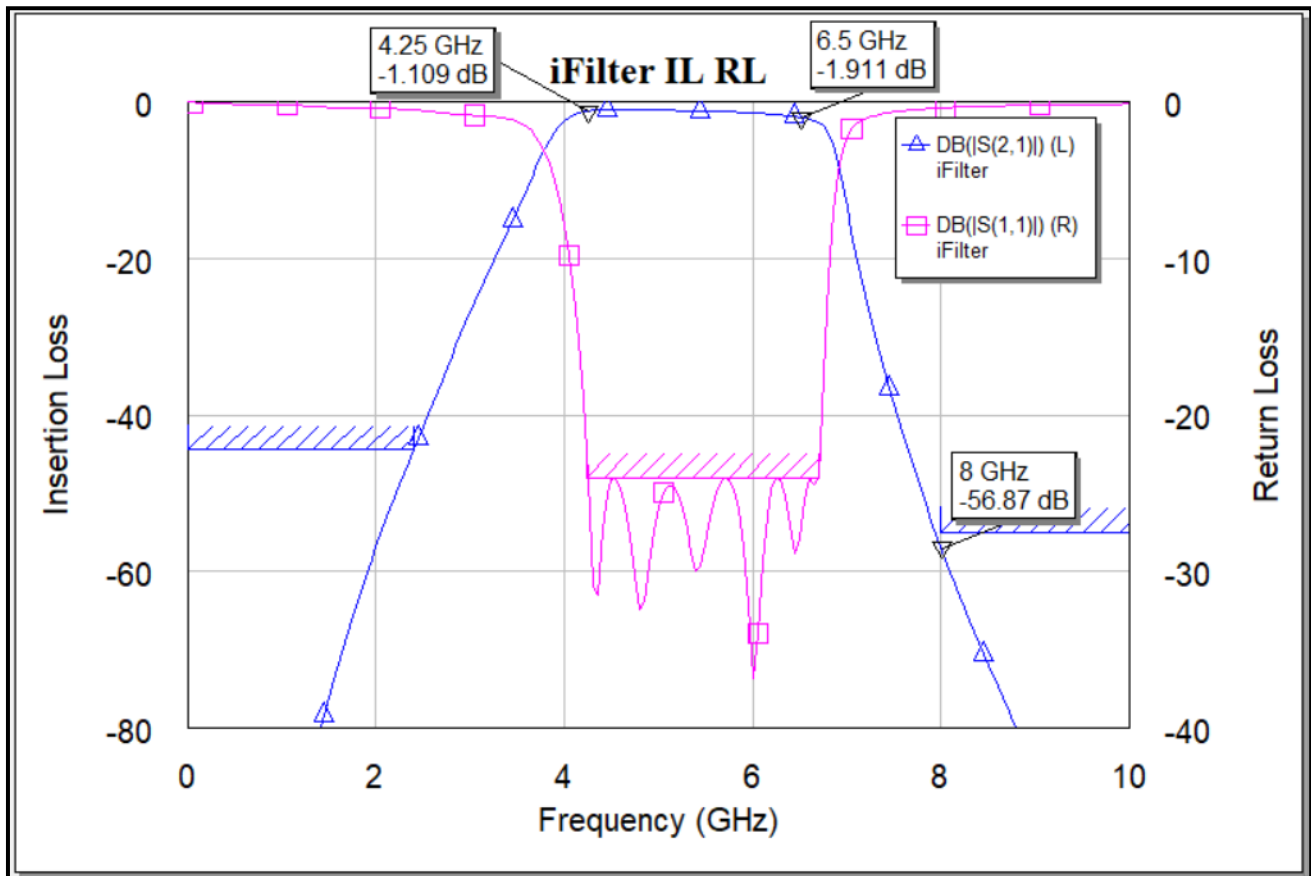
1. Connector : SMD
2. Pin Plating : Au
3. Pin diameter : 0.38mm
3. Finish : Ag Plating

■ Electrical Specification

Parameter	Specification	Remark
1.Center Frequency	5375MHz	
2.Pass Band Frequency	C.F±1125MHz[4250~6500MHz]	
3.Insertion Loss	2.5dB Max.	
4.Return Loss	10dB Min.	
5.Rejection	20dB Min @ 3000MHz 50dB Min @ 8000MHz	
6.Impedance(I/O)	50 Ω	
7.Connectors(I/O)	SMD	
8.Dimension(W x D x H)	See above dimension	Unit : mm
9. Input RF Power	1W Avg.Max.	
10.Operating Temperature	-30 °C ~70 °C	

* Remarks: Preliminary datasheet is just for reference. Final datasheet is subject to the performance of samples.

■ Simulation Curve



■ RECOMMENDED LAND PATTERN

