

PRELIMINARY SPECIFICATION

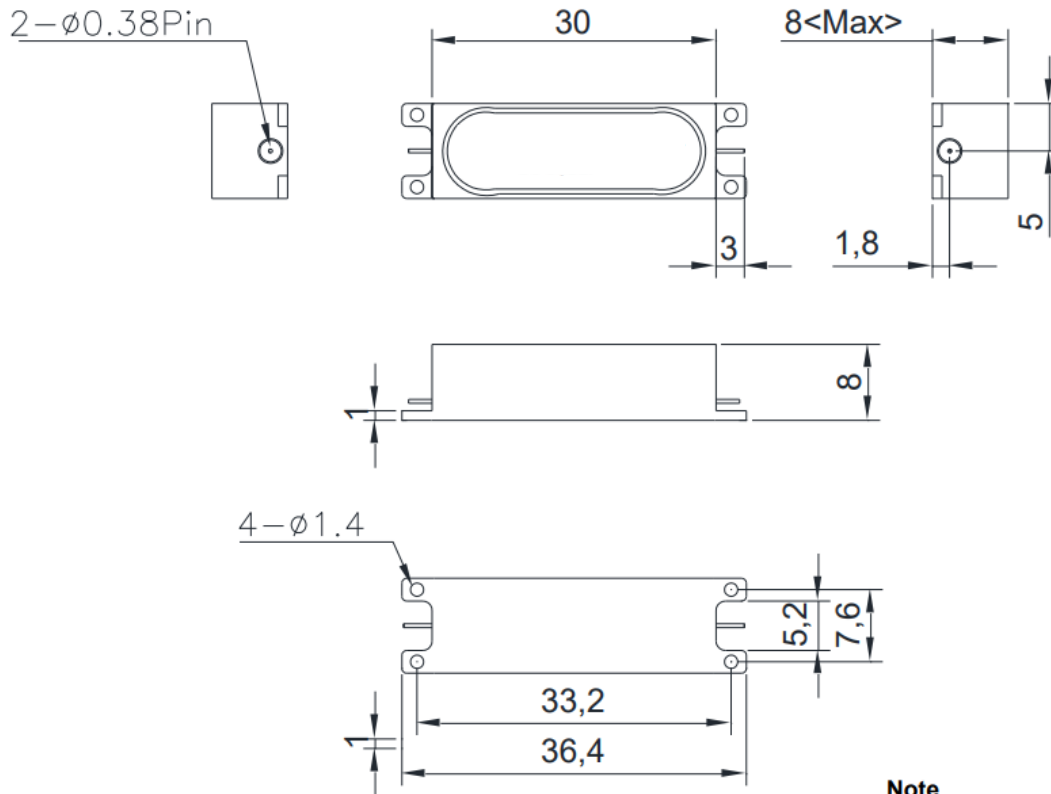
Product Name : LC Band Pass Filter

Part No : MBP-C3525_2.45GL-A-R8

No.	Rev. No.	Description	Date	Author	Final Approver
1	A	Draft	2020.12.08	Bryan Jeon	Michael Jeon
2	R1	Added the simulation curve	2021.06.04	Bryan Jeon	Michael Jeon
3	R2	Temperature range has been changed from -20deg/+60deg to -30deg/+70deg	2021.06.16	Bryan Jeon	Michael Jeon
4	R3	Has changed filter dimension	2021.07.22	Bryan Jeon	Michael Jeon
5	R4	Added the x-axis and y-axis dimensions	2021.08.24	Bryan Jeon	Michael Jeon
6	R5	Has changed mounting hole Distance with glass bead height And updated recommended land pattern	2021.10.05	Bryan Jeon	Michael Jeon
7	R6	Has changed pin height with pin length	2021.10.12	Bryan Jeon	Michael Jeon
8	R7	Part No changed due to wider bandwidth	2023.02.14	Jeffrey Jeong	Michael Jeon
9	R8	Add 1dB BW	2023.02.24	Jeffrey Jeong	Michael Jeon

PRODUCT SPECIFICATION FOR INFORMATION

■ Mechanical Drawing



Note

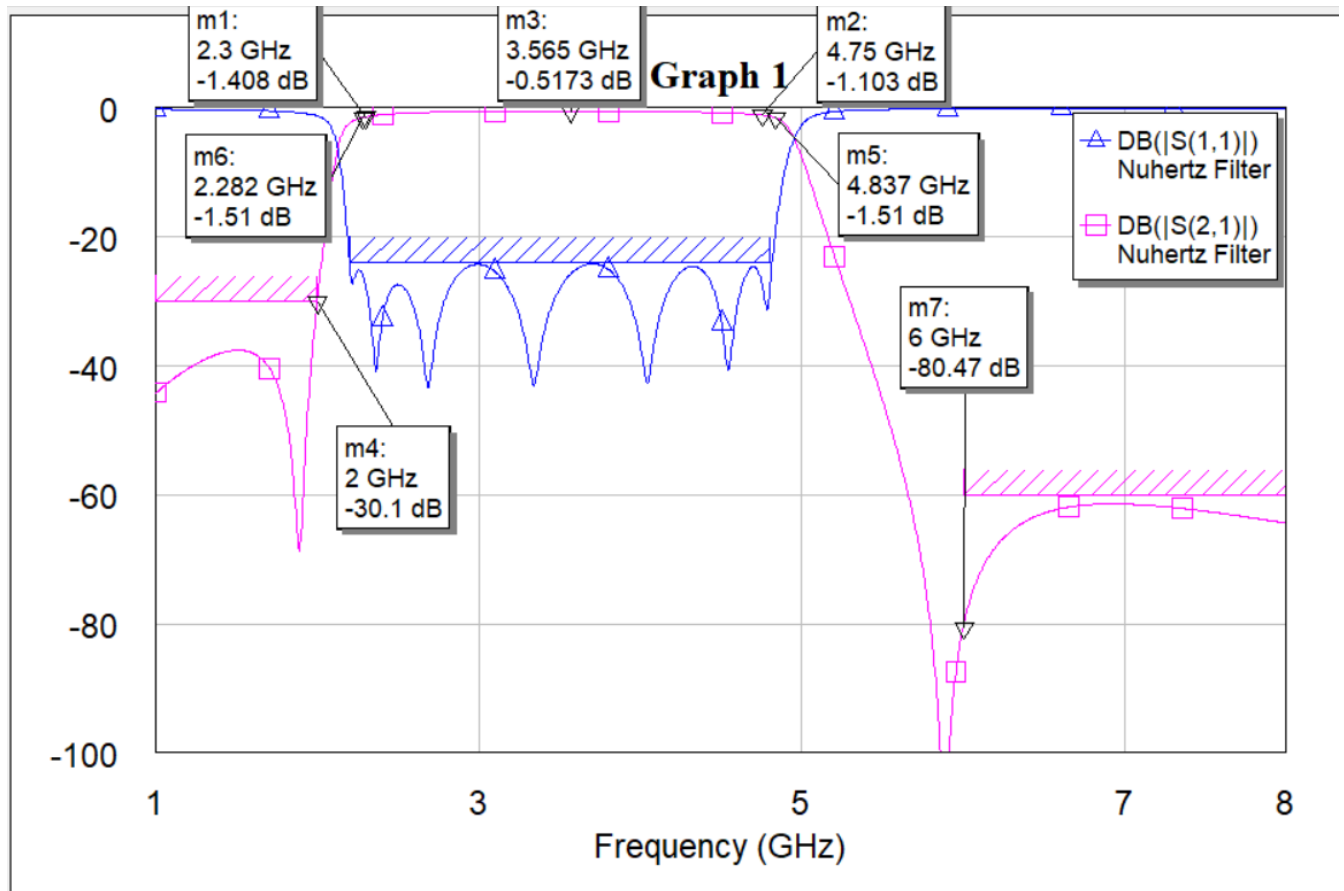
1. Connector : SMD
2. Pin Plating : Au
3. Pin diameter : 0.38mm
3. Finish : Ag Plating

■ Electrical Specification

Parameter	Specification	Remark
1.Center Frequency	3525MHz	
2.1dB Bandwidth	C.F \pm 1225MHz[2300~4750MHz]	
3.Insertion Loss	2.5dB Max.	
4.Return Loss	10dB Min.	
5.Rejection	20dB Min @ 2000MHz 50dB Min @ 6000MHz	
6.Impedance(I/O)	50 Ω	
7.Connectors(I/O)	SMD	
8.Dimension(W x D x H)	See above dimension	Unit : mm
9. Input RF Power	1W Avg.Max.	
10.Operating Temperature	-30 $^{\circ}$ C ~70 $^{\circ}$ C	

* Remarks: Preliminary datasheet is just for reference. Final datasheet is subject to the performance of samples.

■ SIMULATION CURVE



■ RECOMMENDED LAND PATTERN

