

PRODUCT SPECIFICATION FOR INFORMATION

FINAL SPECIFICATION

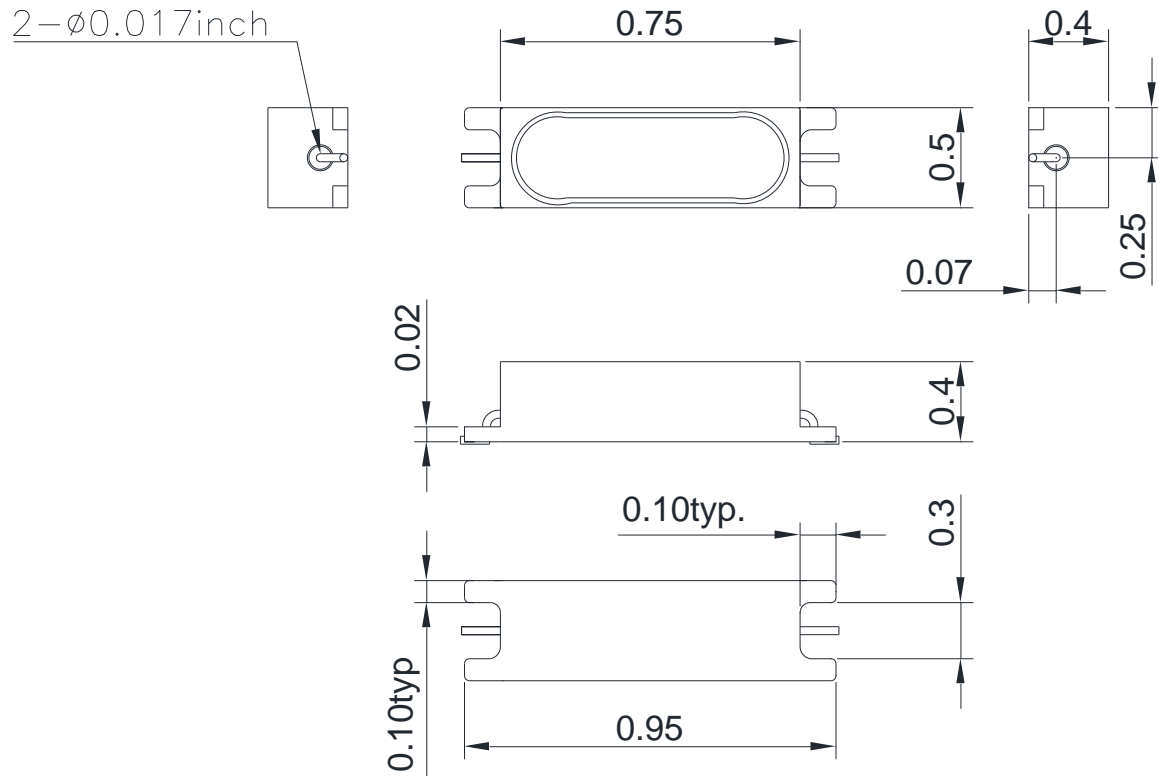
Product Name: Band Pass Filter

Part No: MBP-C3000_50ML-A-R0

■ History List

| No. | Rev. No. | Description | Date | Author | Final Approver |
|-----|----------|-------------|-----------|------------|----------------|
| 1 | R0 | Draft | 2022.6.13 | Bryan Jeon | Michael Jeon |
| | | | | | |
| | | | | | |
| | | | | | |

■ Mechanical Drawing



Note

1. Connector: Glass bead(0.017inch)
2. Finish: Silver Plated

■ Electrical Specification

| Parameter | Specification | Remark |
|---------------------------------|--------------------------------|--------|
| 1. Center Frequency | 3000MHz | |
| 2. 3.0dB Bandwidth | > 100MHz | |
| 3. Insertion Loss @Fo | 3.0dB Max. | |
| 4. Ripple in BW | 0.5dB Max. (BW \geq 380 MHz) | |
| 5. VSWR in BW | 1.5:1 Max.(@ Fo \pm 25 MHz) | |
| 6. In/Out Impedance | 50 Ω | |
| 7. Attenuation [Absolute Value] | 50dBc Min.@ DC-900MHz | |
| | 70dBc Min.@ 1000MHz | |
| | 60dBc Min.@ 2000MHz | |
| | 60dBc Min.@ 4000MHz | |
| | 40dBc Min.@ 5000-6000MHz | |
| 8. Power Handling | 1W Max. | |
| 9. Size | 0.75x0.5x0.4 inch | |
| 10. Operation Temperature Range | -40°C to +85°C | |

Test curve

