

PRODUCT SPECIFICATION FOR INFORMATION

PRELIMINARY SPECIFICATION

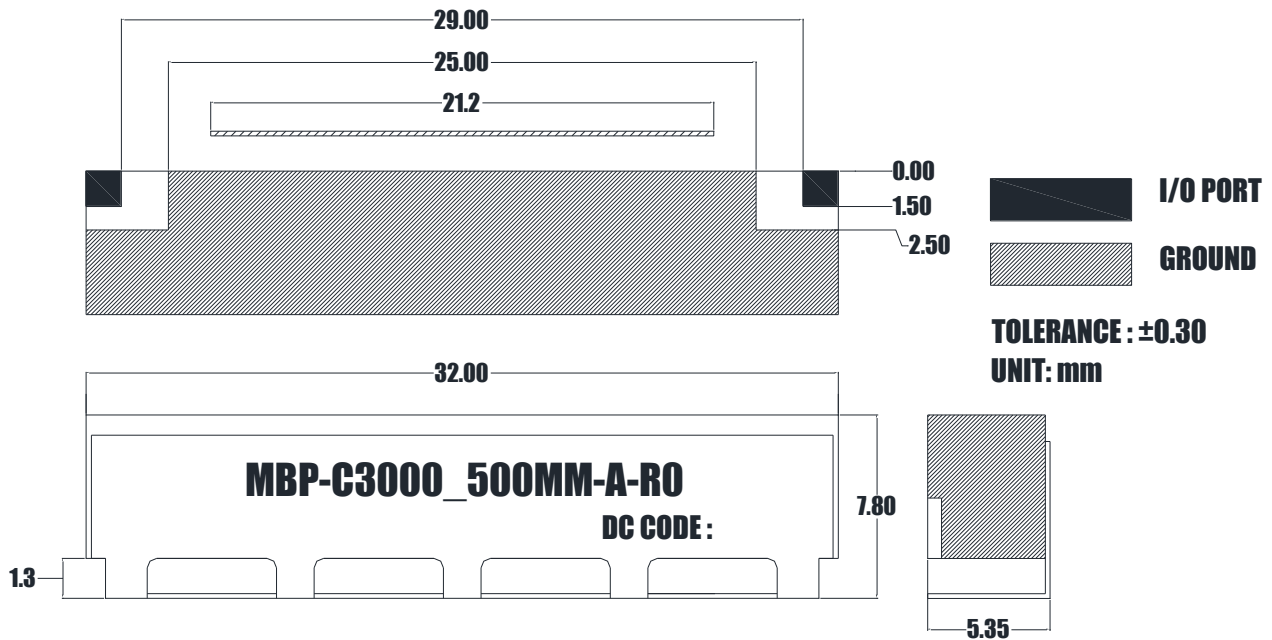
Product Name: Monoblock Band Pass Filter

Part No: MBP-C3000_500MM-A-R2

■ History List

No.	Rev. No.	Description	Date	Author	Final Approver
1	R0	Draft	2021.12.03	Bryan Jeon	Michael Jeon
2	R1	Add Simulation Data	2021.12.13	Bryan Jeon	Michael Jeon
3	R2	Has changed Simulation Data	2021.12.27	Bryan Jeon	Michael Jeon

■ Mechanical Drawing

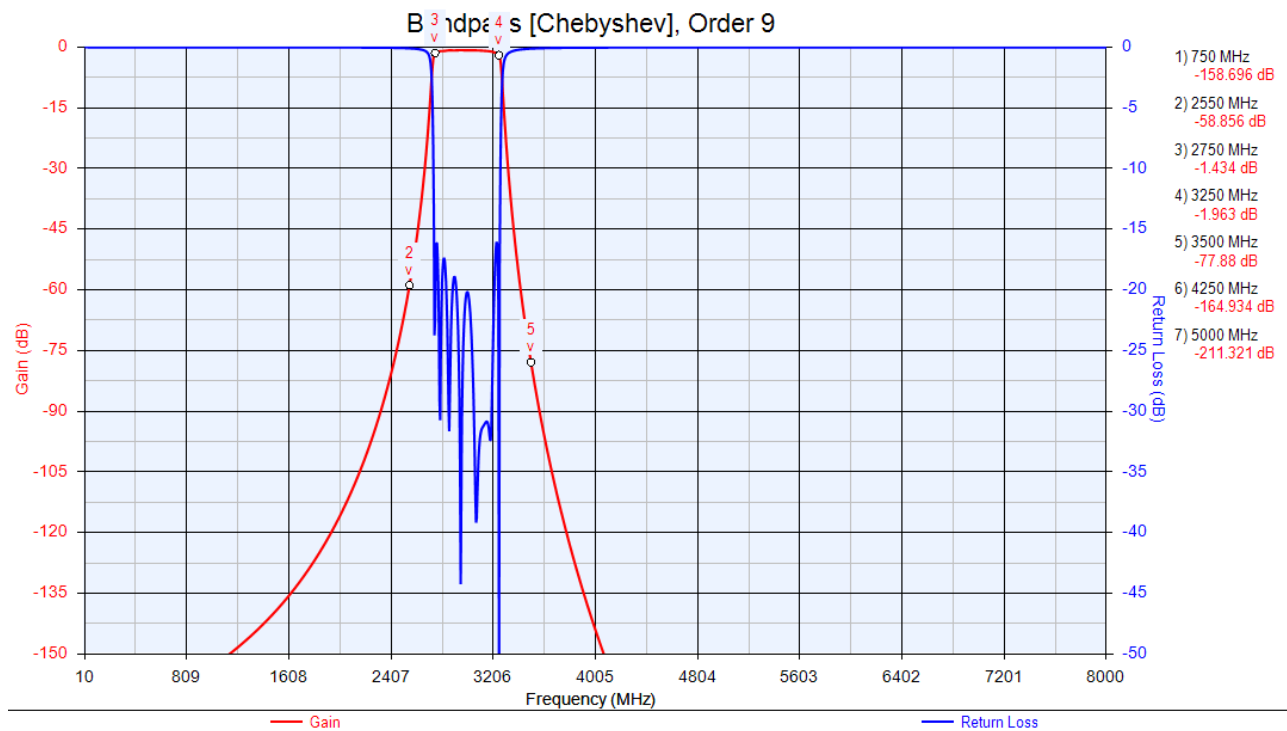


■ Electrical Specification

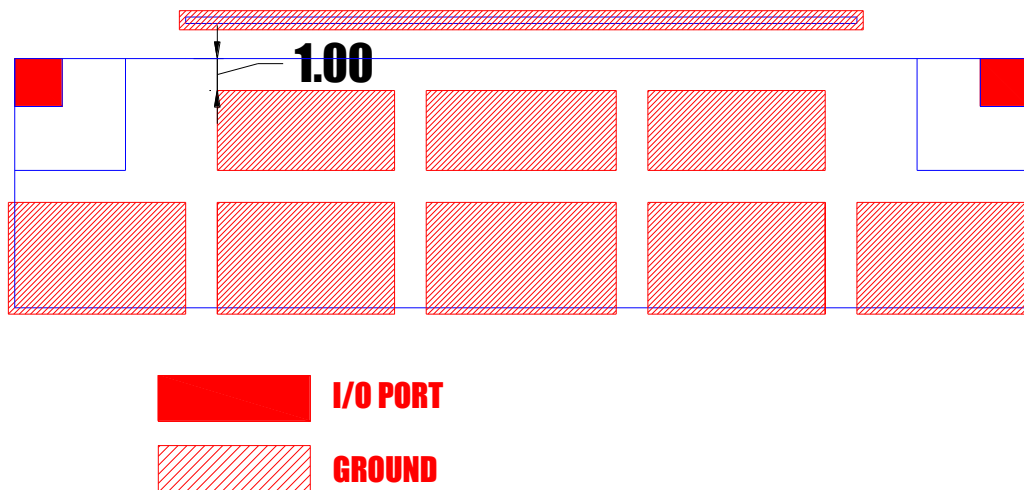
Parameter	Specification	Remark
1. Center Frequency	3000MHz	
2. Bandwidth [BW]	$F_c \pm 250\text{MHz}$ [2750~3250MHz]	
3. Insertion Loss in BW	2.0dB Max.	
4. Ripple in BW	0.8dB Max.	
5. Return Loss in BW	15dB Min.	
6. In/Out Impedance	50Ω	
7. Attenuation [Absolute Value]	55dB Min. @ 750~2550MHz	
	55dB Min. @ 5000MHz	
	55dB Min. @ 3500~4250MHz	
8. Power Handling	1W Max.	
9. Operation Temperature Range	-40°C to +85°C	
10. Measurement JIG	The top should be grounded.	

Remarks: This is a preliminary datasheet for reference.

Recommended PC Board Pattern



Recommended PC Board Pattern



Remark: Recommend using silver-containing solder paste