

PRELIMINARY SPECIFICATION

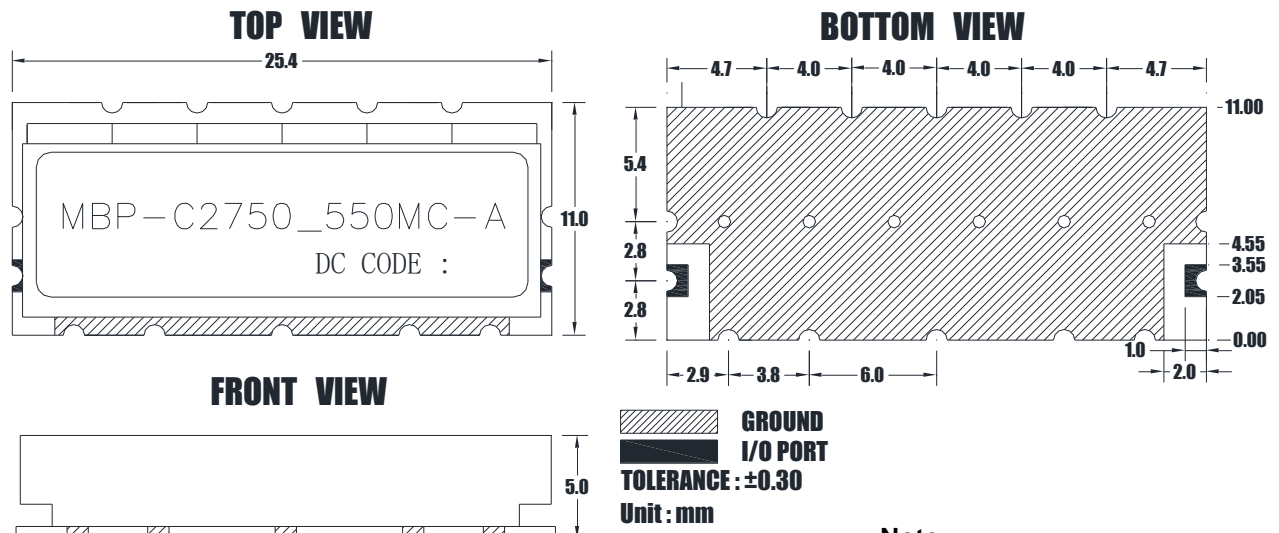
Product Name : Ceramic Band Pass Filter

Part No : MBP-C2750_550MC-A

	Rev. No.	Description	Date	Author	Final Approver
1	A	Draft	2021.06.29	Bryan Jeon	Michael Jeon

PRODUCT SPECIFICATION FOR INFORMATION

■ Mechanical Drawing



Note

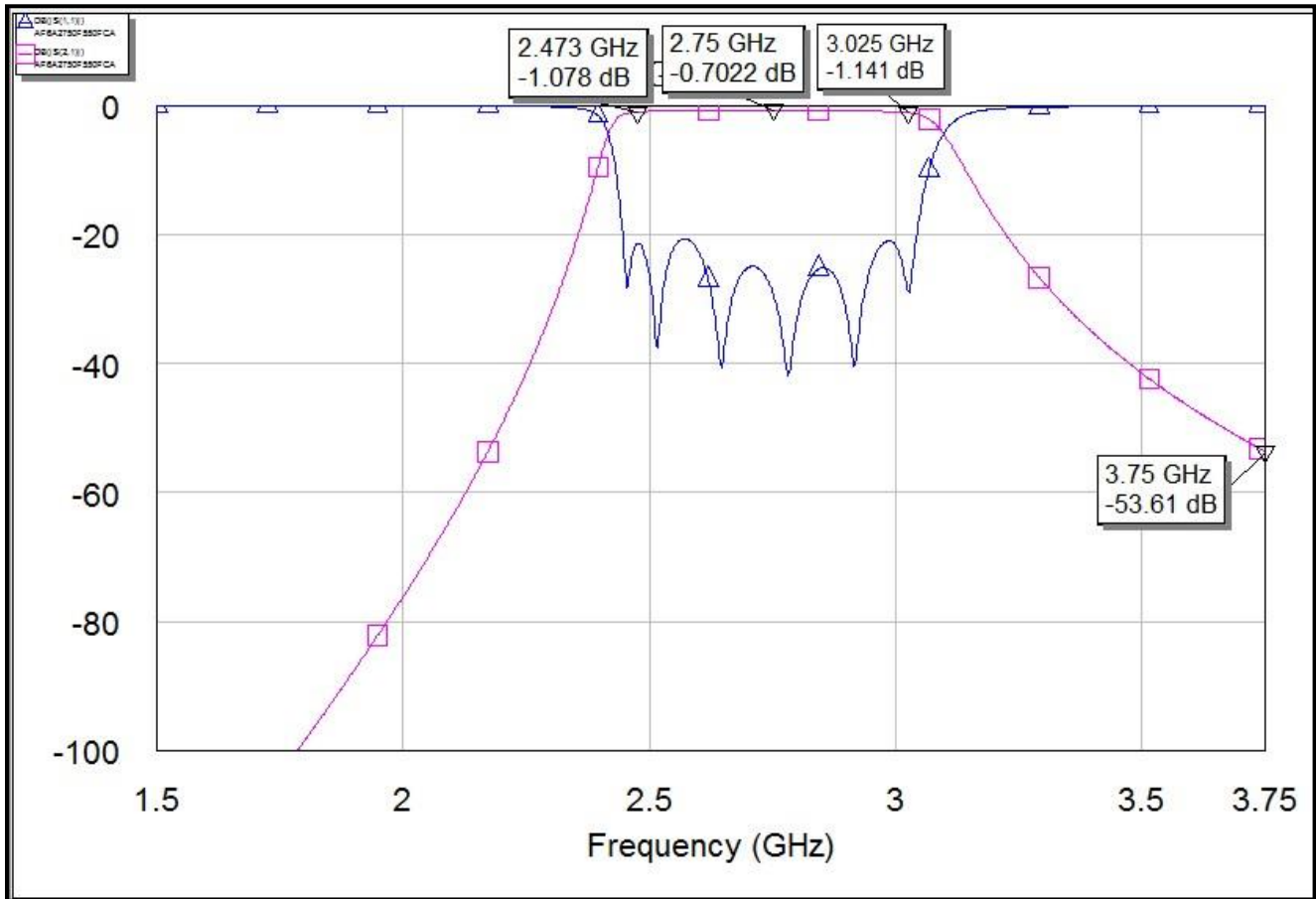
1. Connector : SMD
2. Finish : Au Plated

■ Electrical Specification

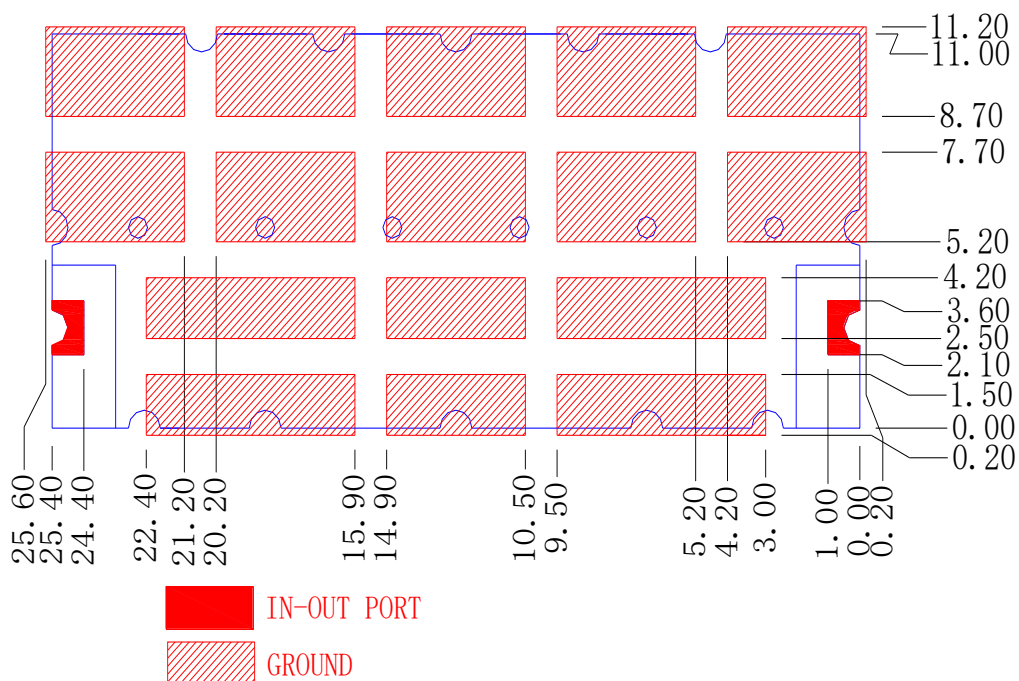
Parameter	Specification	Remark
1. Center Frequency	2750MHz	
2. Frequency Range	C.F.±275MHz[2475~3025MHz]	
3. Insertion Loss	3.0dB Max.	
4. Ripple	1.0dB Max.	
5. Return Loss	15dB Min.	
6. Attenuation	60 dB Min @ 1500MHz	
	50 dB Min @ 3750MHz	
7. Impedance	50Ω	
8. Operating Temperature	-40 + 85°C	

Remarks: This is a preliminary datasheet for reference. The final performance is subject to the sample.

Simulation Curves



RECOMMENDED PC BOARD PATTERN



Remarks: Recommend using silver-containing solder paste.