

PRODUCT SPECIFICATION FOR INFORMATION

PRELIMINARY SPECIFICATION

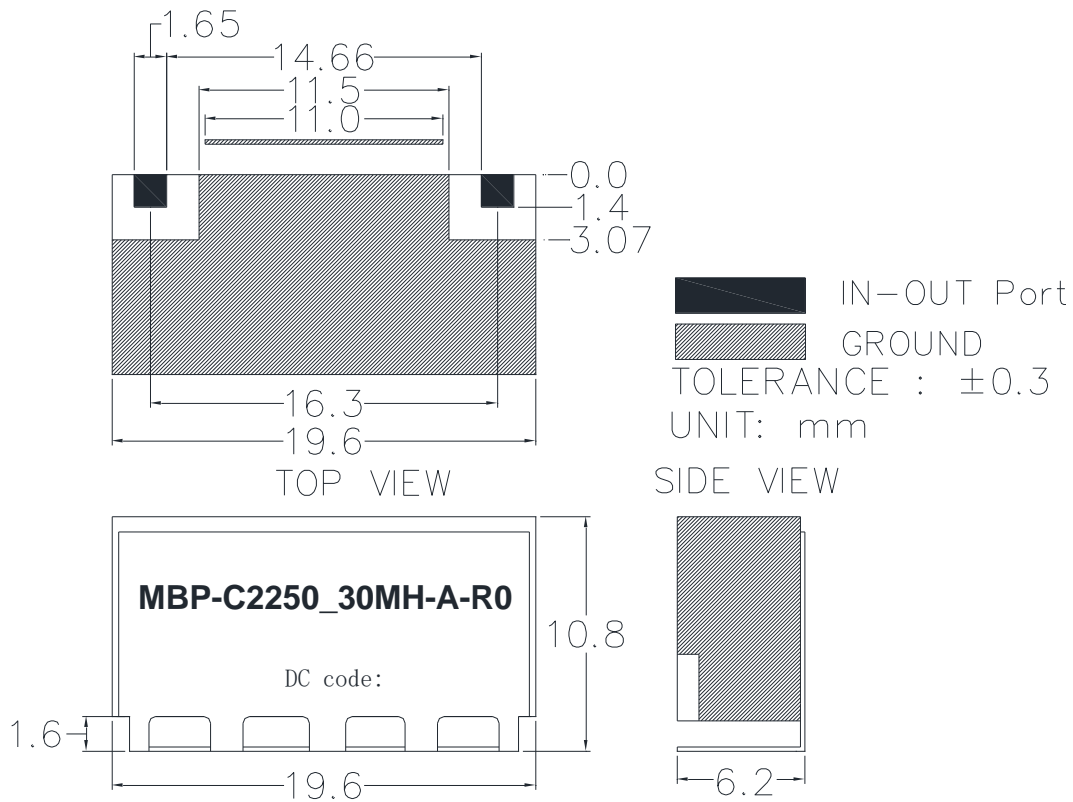
Product Name : Cavity Band Pass Filter

Part No : MBP-C2250_30MH-A-R0

■ History List

No.	Rev. No.	Description	Date	Author	Final Approver
1	R0	Draft	2021.11.25	Bryan Jeon	Michael Jeon

■ Mechanical Drawing



- Note**
1. Connector : SMD
 2. Finish :Silver Plated

■ Electrical Specification

Parameter	Specification	Remark
1. Center Frequency	2250MHz	
2. Frequency Range	$f_0 \pm 15[2235 \sim 2265]$ MHz	
3. Insertion Loss in Pass Band	1.5dB Max.	
4. Return Loss	15dB Min,	
5. Stop Band rejection	45dB Min. @ 4470~4530MHz	
6. Input / Output Impedance	50Ω	
7. Power Handling	20W max	CW
8. Mounting	SMD	
9. Operating temp	-40 to +85°C	

Remarks: This is a preliminary datasheet for reference.

Simulation Curve

