

## PRODUCT SPECIFICATION FOR INFORMATION

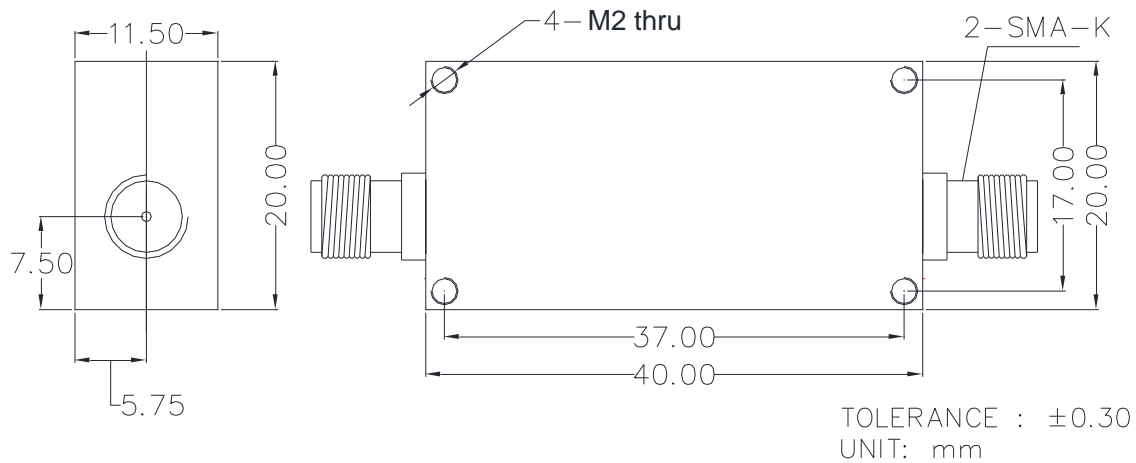
FINAL SPECIFICATION

**Product Name : Band Pass Filter**  
**Part No : MBP-C1750\_500MS-A-R1**

### ■ History List

No.	Rev. No.	Description	Date	Author	Final Approver
1	R0	Draft	2021.10.21	Bryan Jeon	Michael Jeon
2	R1	Has changed filter size from 70.0 x 30.0 x 14.5mm to 40.0 x 20.0 x 11.5mm And changed paint specification.	2021.10.26	Bryan Jeon	Michael Jeon

## ■ Mechanical Drawing



### Note

1. Connector : SMA(F)
2. Finish :Black Epoxy

## ■ Electrical Specification

Parameter		Specification	Remark
1. Center Frequency		1750MHz	
2. Passband 1dB BW		1500 ~ 2000MHz ( $F_c \pm 250\text{MHz}$ )	
3. Insertion Loss		2.0dB Max @ $F_c$	
4. Return Loss		10dB Min.	
5. Rejections	DC ~ 1300MHz	30dB Min.	
	2100 ~ 3000MHz	30dB Min.	
6. Operating Temperature		0°C ~ +60°C	
7. Power Handling		3W Max.	
8. Size (W x D x H)		40.0 x 20.0 x 11.5mm	

## Test Curve

