

## PRODUCT SPECIFICATION FOR INFORMATION

PRELIMINARY SPECIFICATION

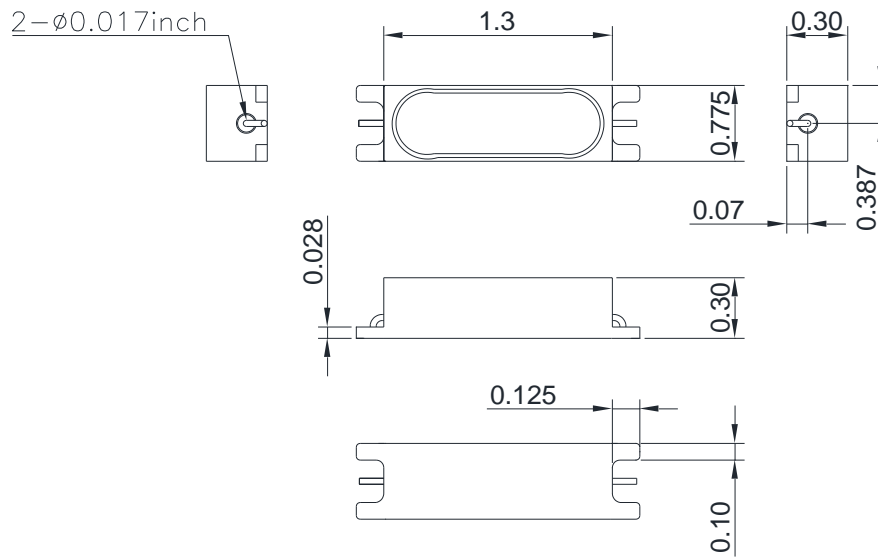
**Product Name: LC Band Pass Filter**

**Part No: MBP-C1090\_53ML-A-R0**

### ■ History List

No.	Rev. No.	Description	Date	Author	Final Approver
1	R0	Draft	2022.7.11	Bryan Jeon	Michael Jeon

## ■ Mechanical Drawing



### Note

1. Connector: Glass bead(0.017inch)
2. Finish: Silver Plated

## ■ Electrical Specification

Parameter	Specification	Remark
1. Center Frequency	1090MHz	
2. 3.0dB Bandwidth	53MHz	
3. 3 dB maximum lower cutoff frequency, F3L	1,065.5 MHz Max.	
4. 3 dB minimum upper cutoff frequency, F3U	1,114.5 MHz Min.	
5. 0.5 dB maximum lower cutoff frequency, F05L	1,073 MHz Max.	
6. 0.5 dB minimum upper cutoff frequency, F05U	1,106.5 MHz Min.	
7. Insertion Loss @ Ta=25°C ± 2°C,	3.5dB Max.	F= 1,090 ± 1 MHz, IL
8. Insertion loss variation within operating temperature range, IL	± 0.5 dB	
9. IN/OUT Return loss, RL	14dB Min.	
10. In/Out Impedance	50Ω	
11. Rejection	47dB Min. @ DC-980MHz	
	25dB Min. @ 980-1030MHz	
	22dB Min. @ 1150-1200MHz	
	40dB Min. @ 1200-3000MHz	
12. Insertion phase, Ip	-178 ± 25 DEG	
13. Phase Ripple @ Fo±5MHz PR	± 3 DEG	
14. Group Delay @ Fo, GD	15 ns max	
15. Group Delay variation @ Fo ± 5 MHz, GDV <sub>1</sub>	6 ns peak to peak max	
16. Operation Temperature Range	-40°C to +85°C	
17. Maximum continuous operating RF input power, RFin	+20 dBm	
18. Maximum continuous RF input power, RFin_max	+30 dBm	

Remarks: This is a preliminary datasheet for reference.