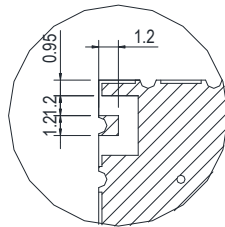
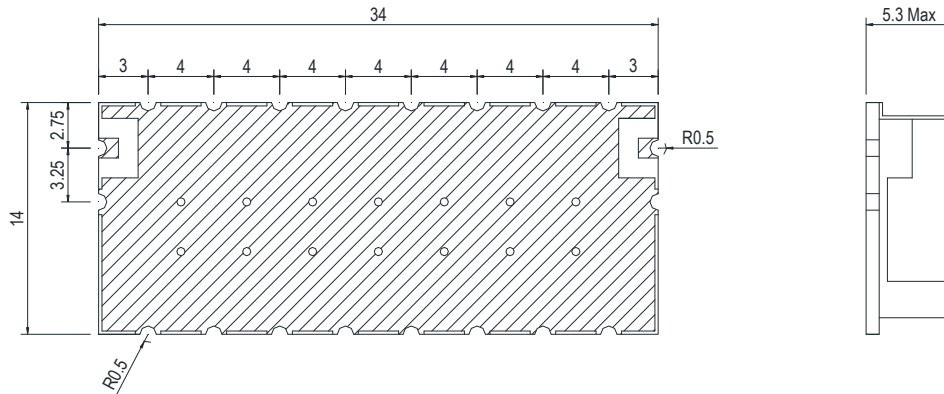


PRODUCT SPECIFICATION FOR INFORMATION

- Customer : INEO
- Product Name : CERAMIC BAND PASS FILTER
- Part No : MBP-8R4-2600BP400M



A-A

Unit : mm
Tolerance : +/- 0.3

1. Center Frequency : 2600MHz
2. 3dB Bandwidth : 400MHz(2400 ~ 2800MHz)
3. Insertion Loss in BW : 3dB Max.
4. Ripple : ± 1 dB Max.
5. Rejection : 60dB Min. @ DC ~ 2100MHz
60dB Min. @ 3200MHz ~ 5500MHz
6. Input Power : 1.0W Max.
7. Impedance : 50 Ω
8. Operating Temperature : -40 $^{\circ}$ C ~ +85 $^{\circ}$ C
9. Size : 34.0 X 14.0 X 5.3mm Max.