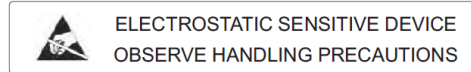


**Features:**

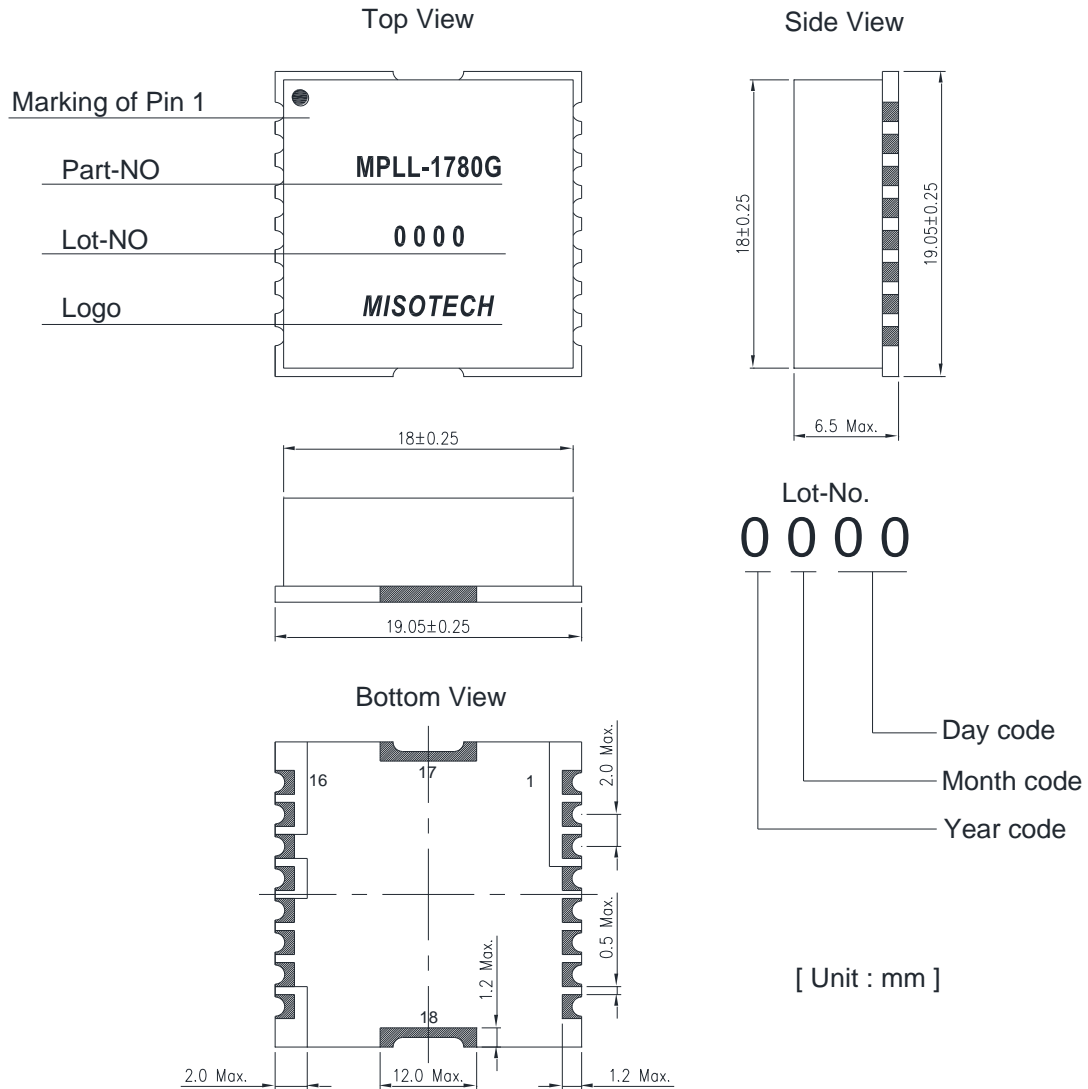
- Hybrid Integrated Circuit
- Surface Mounted Device Type
- Shield Case : Nickel Silver
- 18PIN Type



**Electrical Specifications (T<sub>A</sub>=+25Deg.C, 50Ω system)**

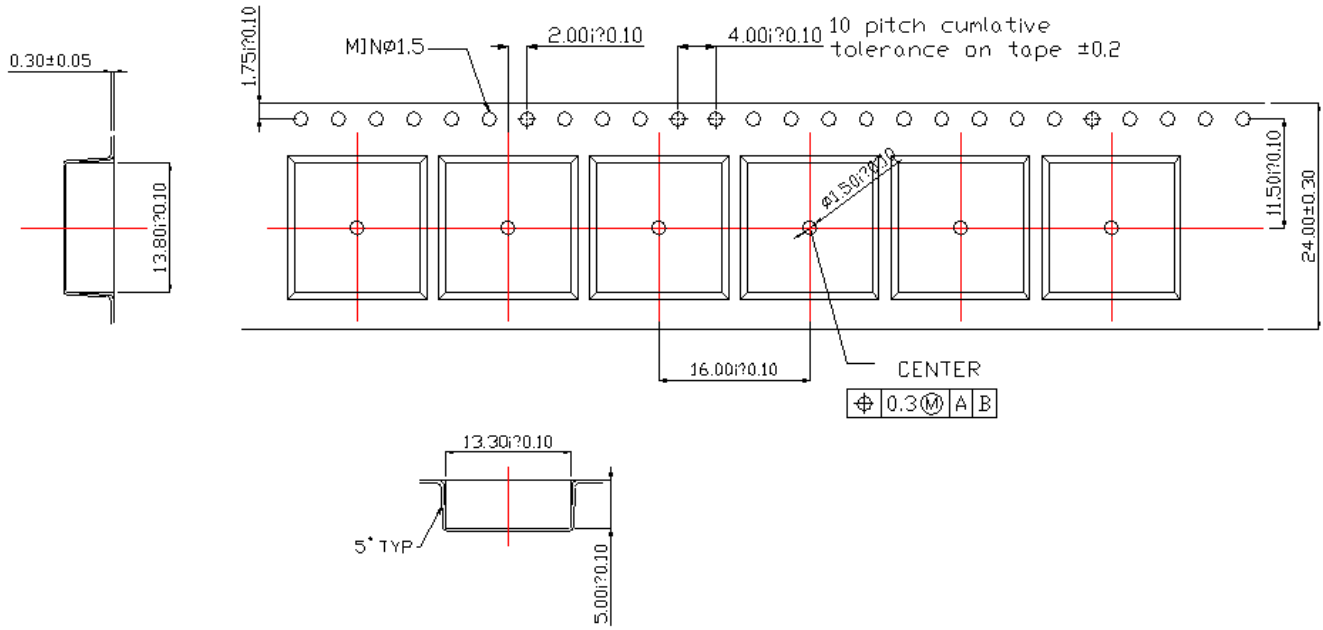
NO	ITEM	UNIT	MIN	TYP	MAX
1	Operating Frequency Range	MHz	1770.0	1780.0	1790.0
2	Output Power Level	dBm	+3.0	+5.0	+7.0
3	Harmonics Level (2 <sup>nd</sup> )	dBc			-20
4	Spurious Level	dBc			-70
5	Phase Noise at offset @ 1kHz at offset @ 10kHz at offset @ 100kHz	dBc/Hz dBc/Hz dBc/Hz		-78 -103 -120	
6	Lock Time	msec			30
7	Output Impedance	Ω		50	
8	VCO Supply Voltage	V	+4.75	+5.00	+5.25
9	PLL Supply Voltage	V	+4.75	+5.00	+5.25
10	Built-In Reference Freq.	MHz		13±2.5ppm	
11	Ch Step.	kHz		25	
12	Current Consumption	mA			40
13	Lock Detector Voltage	V Low	V		+0.5
		V High	V	+4.5	
14	Operating Temp. Range	°C	-30		+75

**Dimensions**

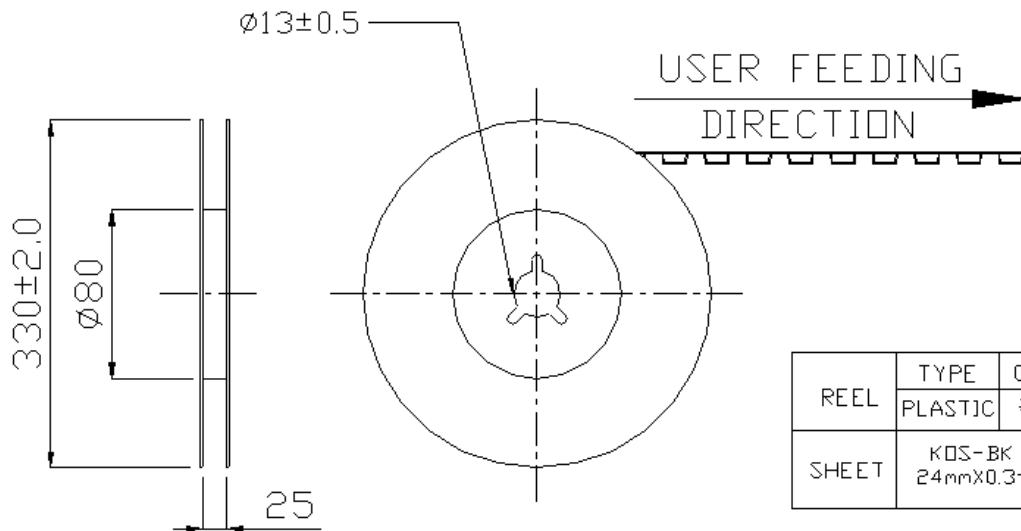


Terminal Connection			
Pin NO	Terminal NAME	Pin NO	Terminal NAME
1	Clock (CLK)	9	VCO Vcc
2	Data	13	RF Out
3	Enable (LE)	15	PLL Vcc
		16	Lock Detect (LD)
All Other Pins are Ground			

**Packing**



**Taping**



REEL	TYPE	COLOR	HUB	SIZE
	PLASTIC	흑,백색	80	330
SHEET	KDS-BK 24mmX0.3t	POCKET COUNTER	750 POCKET	

**REEL DIMENSION**

**Reel**