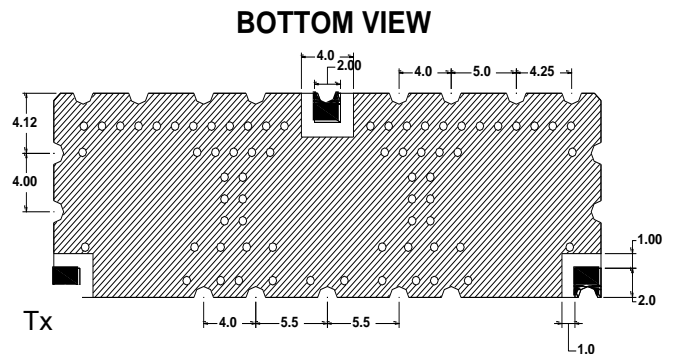
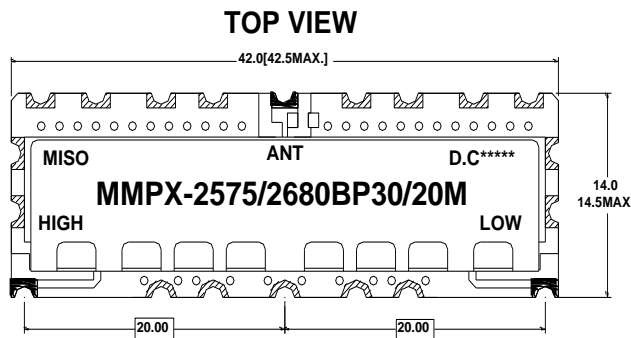


26/Jul/2017

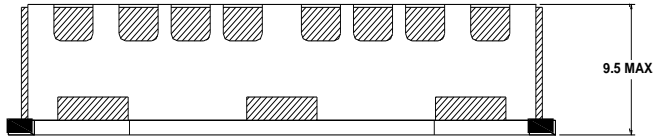
PRODUCT SPECIFICATION FOR INFORMATION

- Product Name : CERAMIC MONO DUPLEXER
- Part No : MMPX-2575/2680BP30/20M

PRELIMINARY SPECIFICATION



FRONT VIEW



I/O PORT
 GROUND
 TOLERANCE : ± 0.20
 UNIT: mm

Item	SPECIFICATION	
1. Center Frequency (= Fc)	2575.0 MHz (Rx)	2680.0 MHz (Tx)
2. Pass Bandwidth (= BW)	Fo \pm 15 MHz (2560 ~2590 MHz)	Fo \pm 10 MHz (2670 ~2690 MHz)
3. Insertion Loss @ BW	1.3dB max.	1.3dB max.
4. Ripple @ BW	0.8 dB max.	0.8 dB max.
5. Return Loss (dB)	15.0 min	15.0 min
6. In/Output Impedance	50 Ω	
7. Attenuation	45 dB min.@ 2670 ~ 2690 MHz	45 dB min.@ 2560 ~ 2590 MHz
8. Isolation (Tx - Rx)	45dB min.	
9. Input Power	5W max	
10. Operation Temperature Range	-30 $^{\circ}$ C ~ +70 $^{\circ}$ C	

■ TEST CURVE

