

## PRODUCT SPECIFICATION FOR INFORMATION

FINAL SPECIFICATION

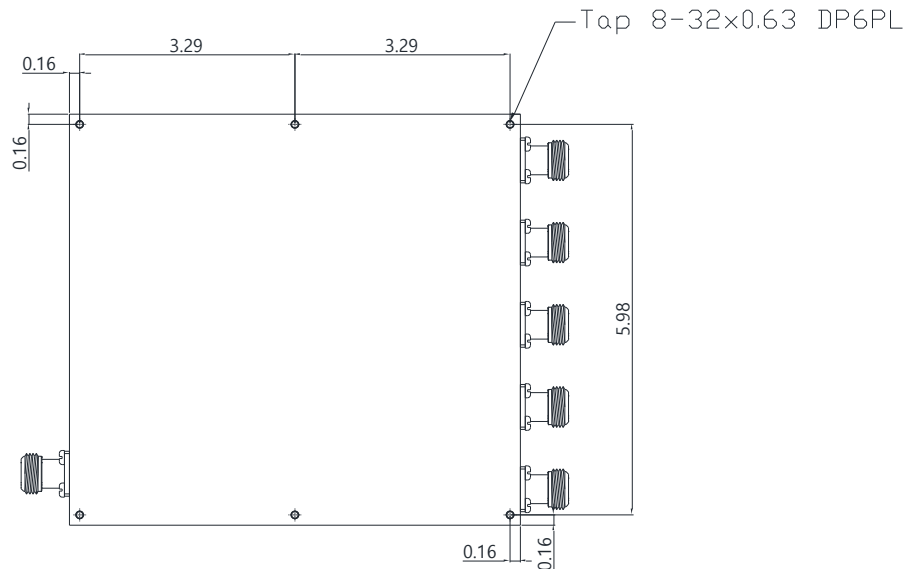
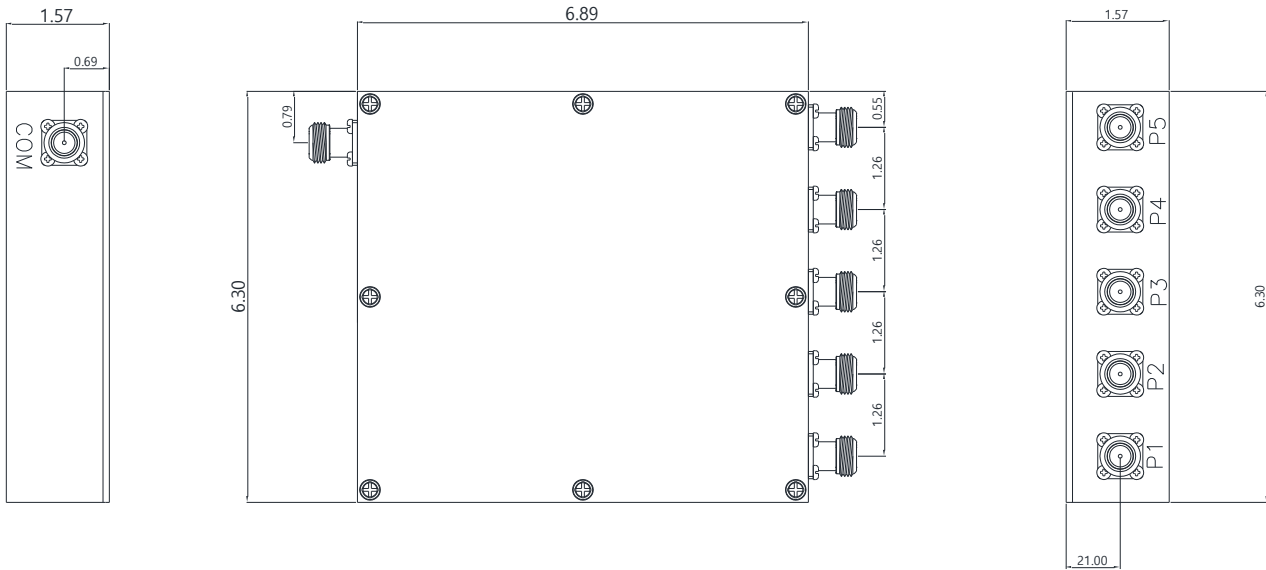
**Product Name : Multiplexer**

**Part No : MMP-5COM\_430-5900MN-A-R8**

### ■ History List

No.	Rev. No.	Description	Date	Author	Final Approver
1	R0	Draft	2021.05.25	Bryan Jeon	Michael Jeon
2	R1	Has changed power rate	2021.06.03	Bryan Jeon	Michael Jeon
3	R2	Connector position has changed	2021.06.11	Bryan Jeon	Michael Jeon
4	R3	Dimensions changed from mm to inches.	2021.06.11	Bryan Jeon	Michael Jeon
5	R4	Has changed power rate from max to avg	2021.06.11	Bryan Jeon	Michael Jeon
6	R5	Has changed com port power rate from max to avg	2021.06.15	Bryan Jeon	Michael Jeon
7	R6	Added the test curve	2021.08.31	Bryan Jeon	Michael Jeon
8	R7	P3 band has been changed from 1570-1610 MHz to 1200-1610 MHz and Only p3 path has a return loss specification of 12db min. Shalome confirmed on 31/August/2021	2021.09.01	Bryan Jeon	Michael Jeon
9	R8	Revised test curve	2021.09.09	Bryan Jeon	Michael Jeon

## ■ Mechanical Drawing

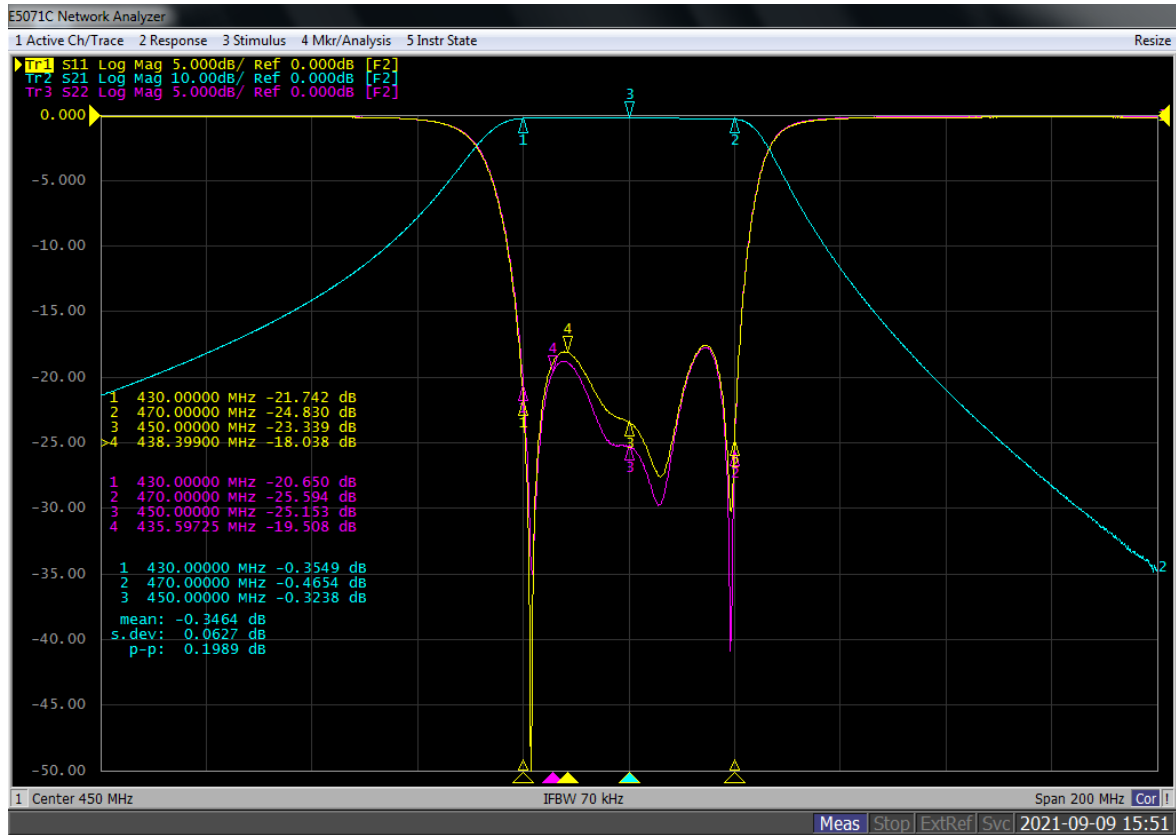


- Note**
1. Connector : N(f) type
  2. Finish : Black epoxy coating

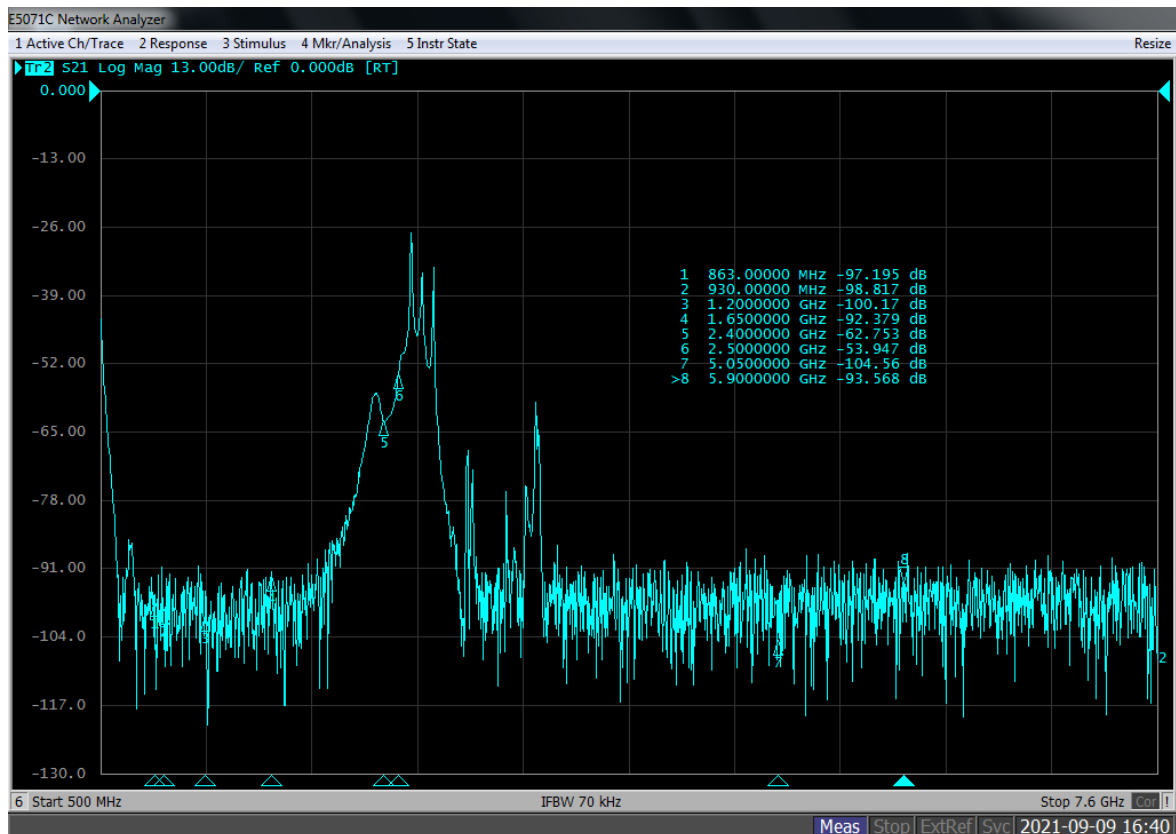
## ■ Electrical Specification

Parameter		Specification	Remark
1. Pass Band Frequency	P1	430MHz~470MHz	
	P2	863MHz~930MHz	
	P3	1200MHz~1610MHz	
	P4	2400MHz~2500MHz	
	P5	5050MHz~5900MHz	
2. Rejection	P1	50dBc Min. @ 863~930MHz	
		50dBc Min. @ 1200~1650MHz	
		50dBc Min. @ 2400~2500MHz	
		50dBc Min. @ 5050~5900MHz	
	P2	30/35dBc Min.(Typ.)@ DC~540MHz	
		25dBc Min. @ 1200~1610MHz	
		50dBc Min. @ 2400~2500MHz	
		50dBc Min. @ 5050~5900MHz	
	P3	25dBc Min. @ DC~930MHz	
		30dBc Min. @ 1910MHz	
		50dBc Min. @ 2400~2500MHz	
		50dBc Min. @ 5050~5900MHz	
	P4	50dBc Min. @ DC~1610MHz	
		25dBc Min. @ 2005 & 4100MHz	
		50dBc Min. @ 5050~5900MHz	
	P5	50dBc Min. @ DC~2500MHz	
50dBc Min. @ 2500~4100MHz			
3dBc Min. @ 6000MHz			
25dB Min. @ 7500MHz			
3. Insertion Loss	P1	0.8dB Max.	
	P2	1.0dB Typ , 1.2dB Max.	
	P3	1.0dB Typ , 1.2dB Max.	
	P4	0.5dB Typ , 0.6dB Max.	
	P5	0.4dB Typ , 0.6dB Max.	
4. Band Ripple		0.8dB Max.(P-T-P)	
5. Return Loss		P1~P2: 14dB Min	
		P3 : 12dB Min	
		P4~P5 : 14dB Min	
6. Isolation	All Filters	50dB Min.	
	P2 & P3	25dB Min.	
7. RF Power Handling		Each channel : 50W avg. Com: 335W Max.	
8. Impedance		50Ω	
9. Operating temp		-20 ~ +75 °C	
10. Application		IP65	

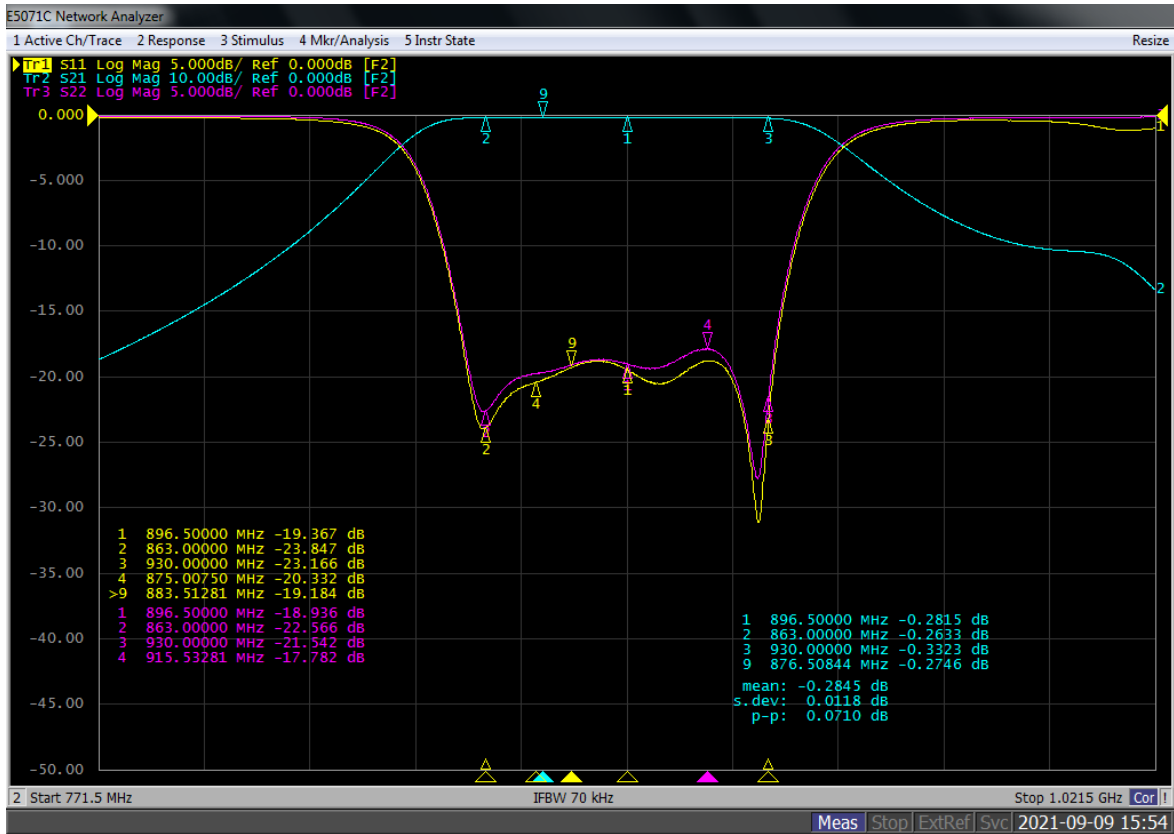
## Test Curve



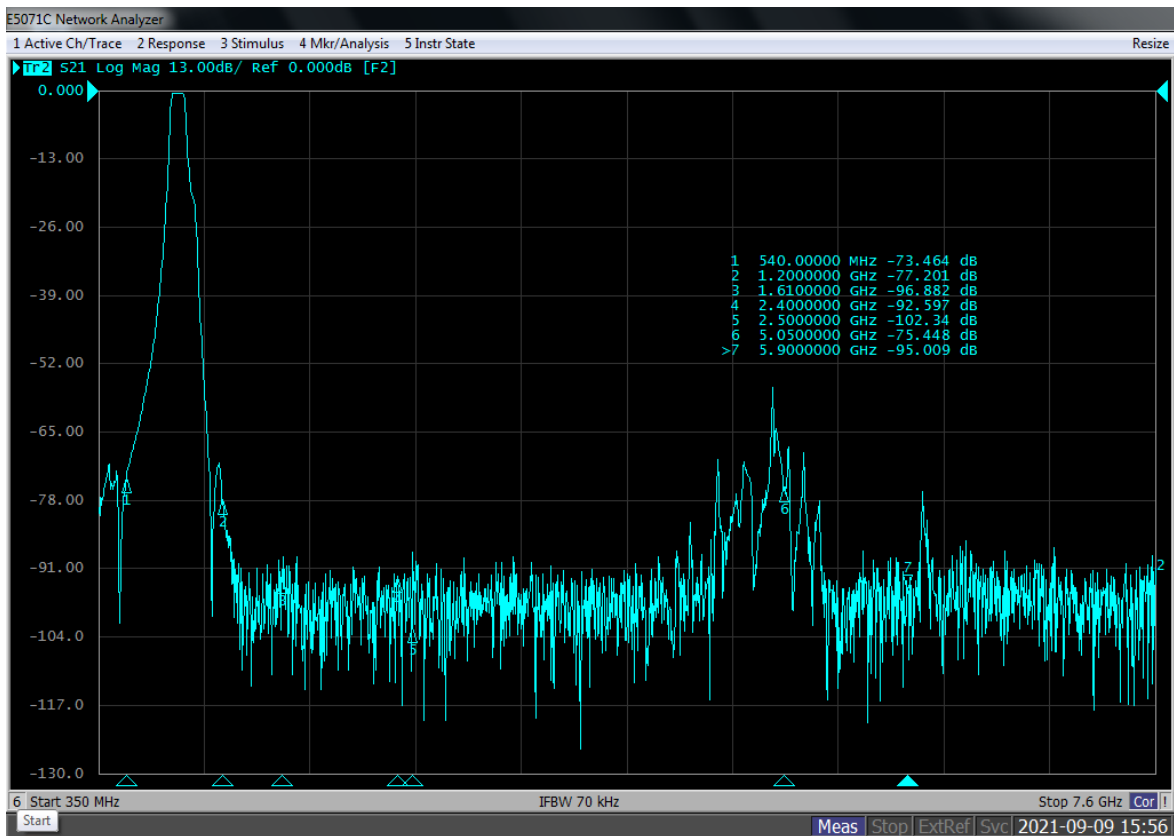
<P1>



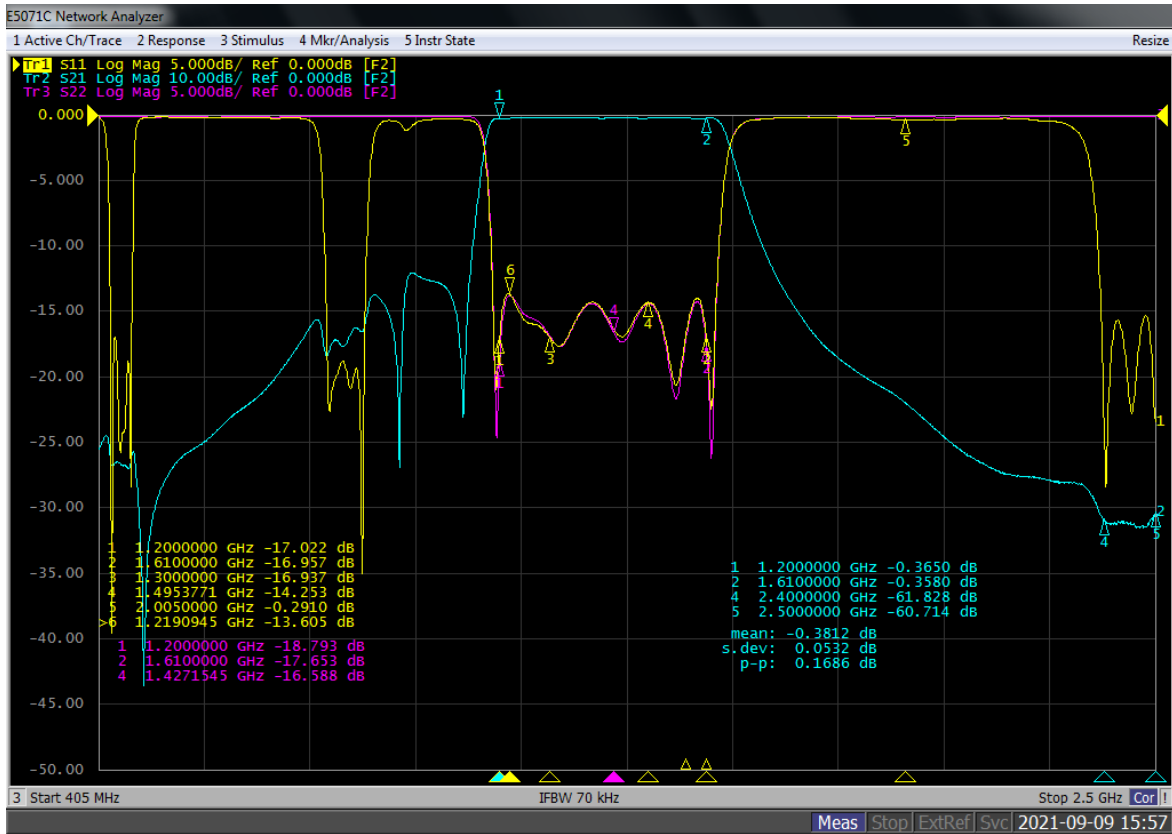
<P1 ISO>



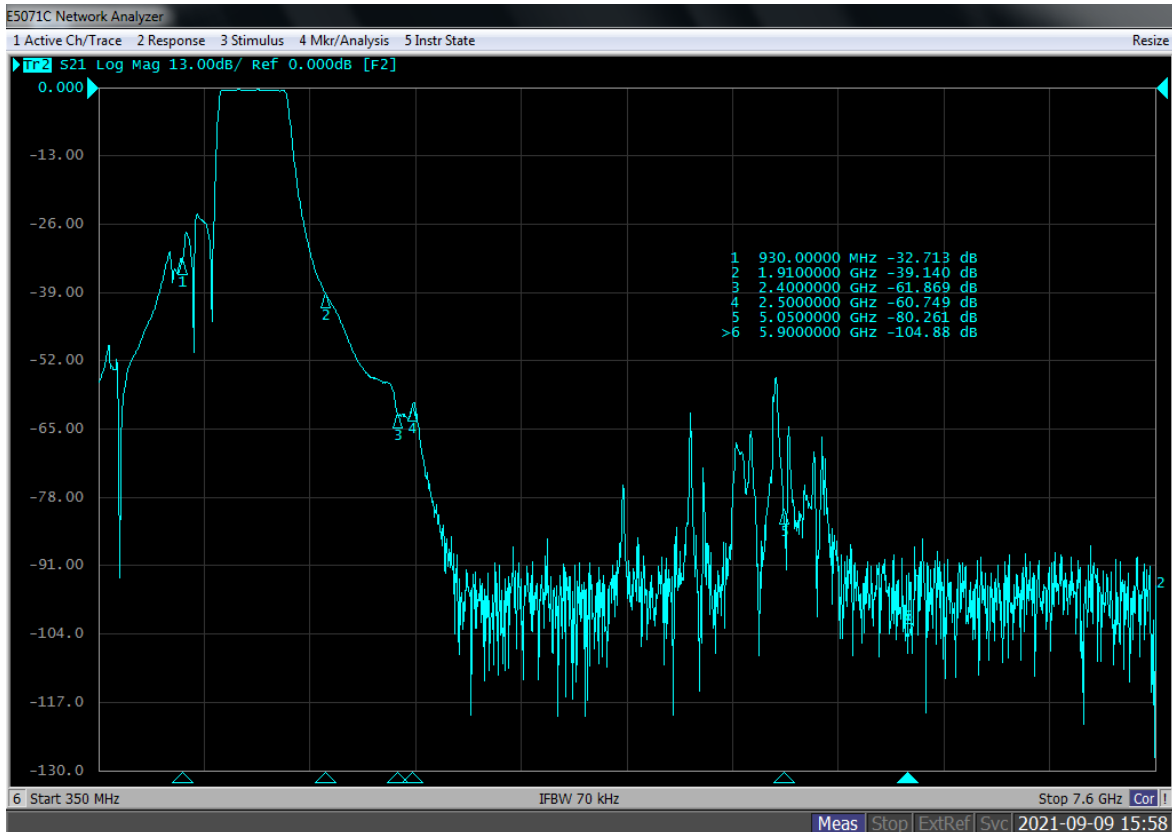
<P2>



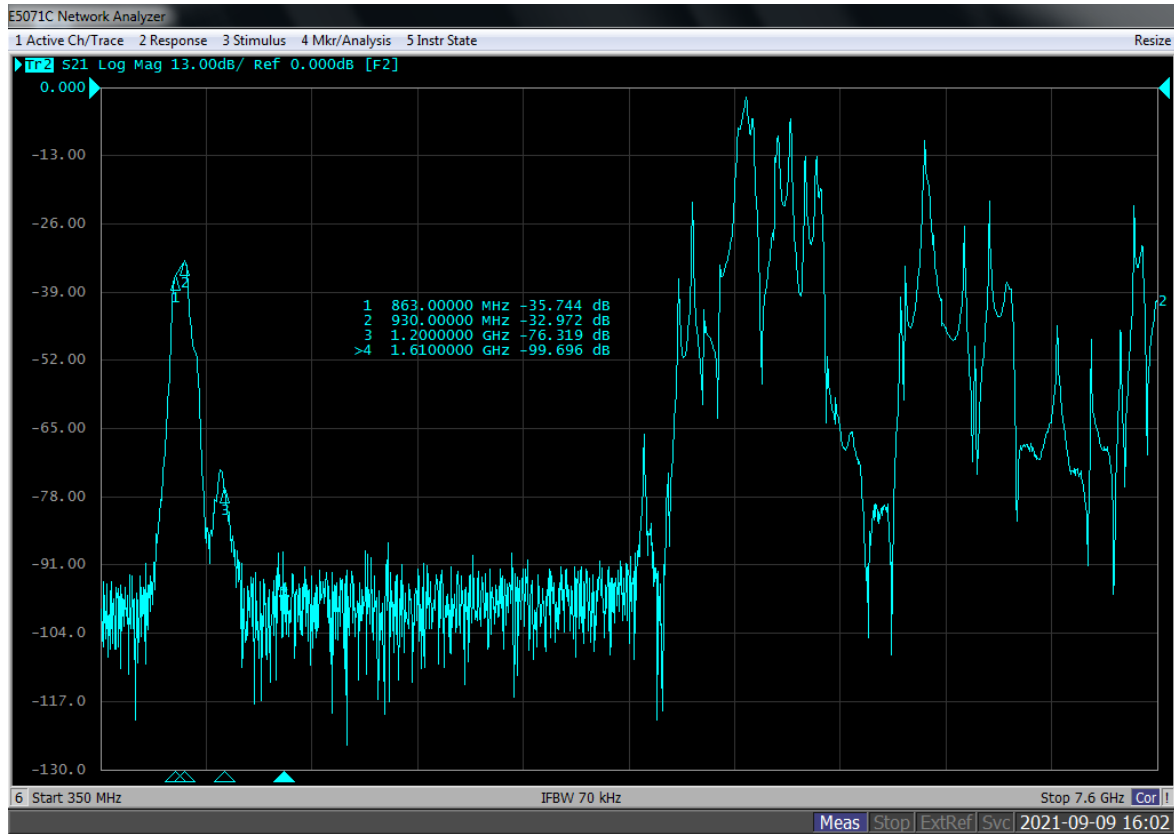
<P2 ISO>



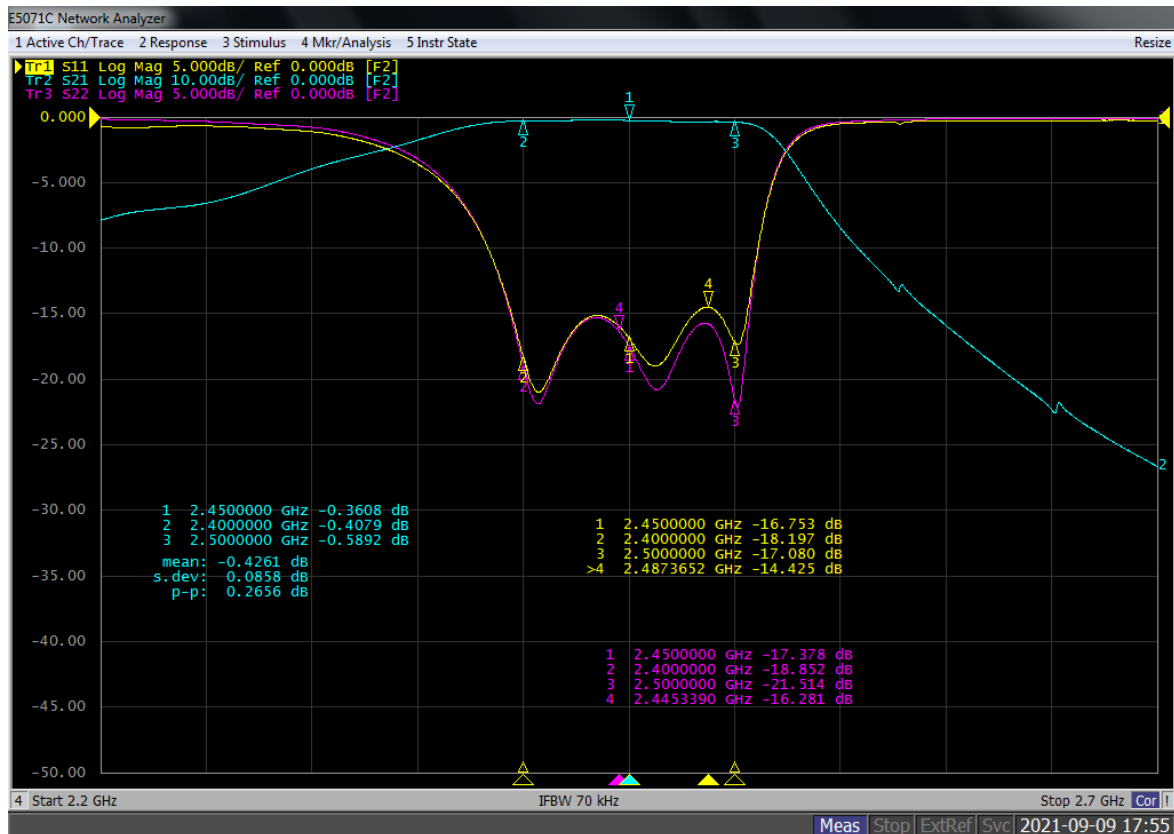
<P3>



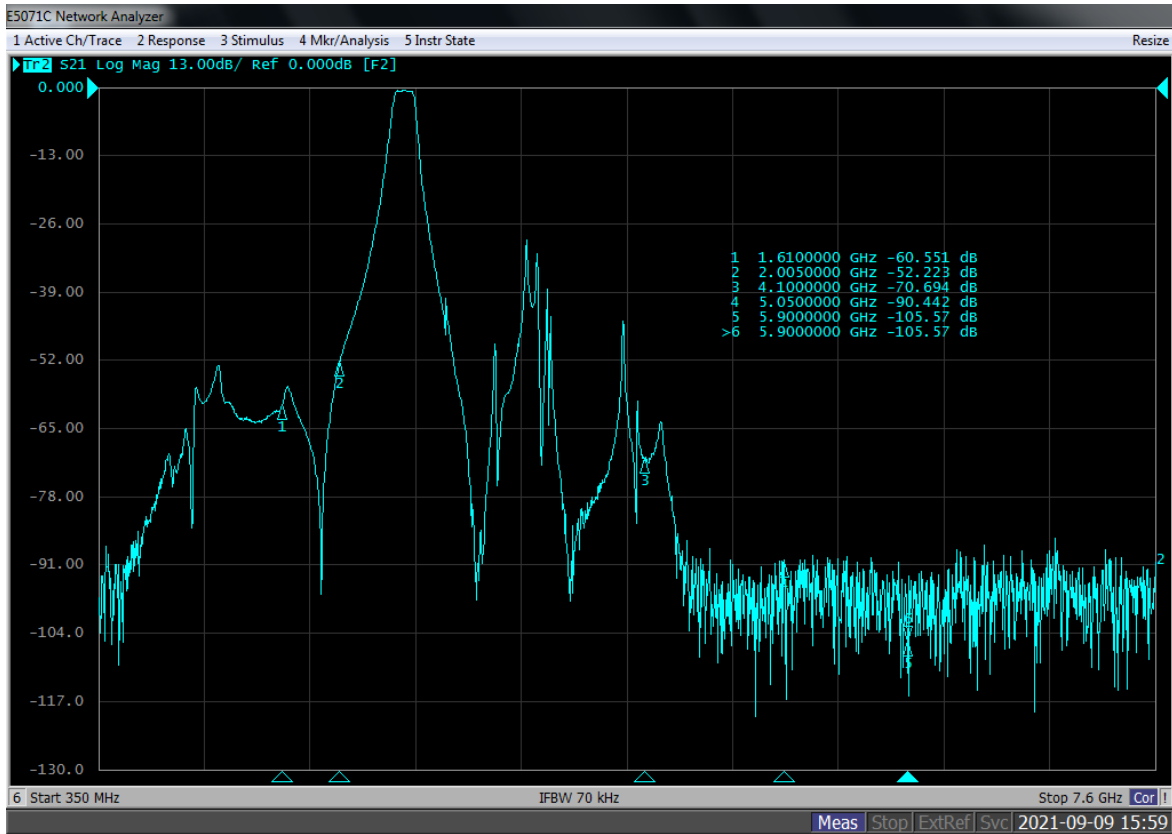
<P3 ISO>



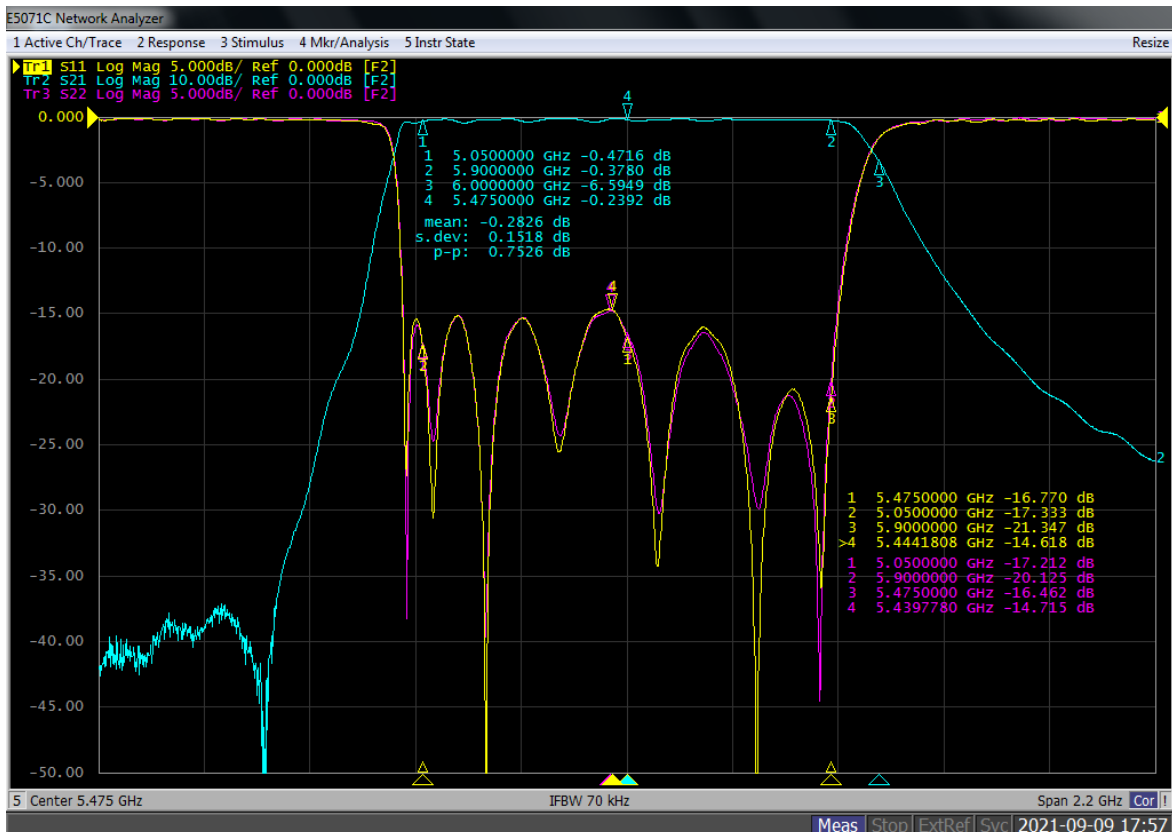
<P2/P3 ISO>



<P4>

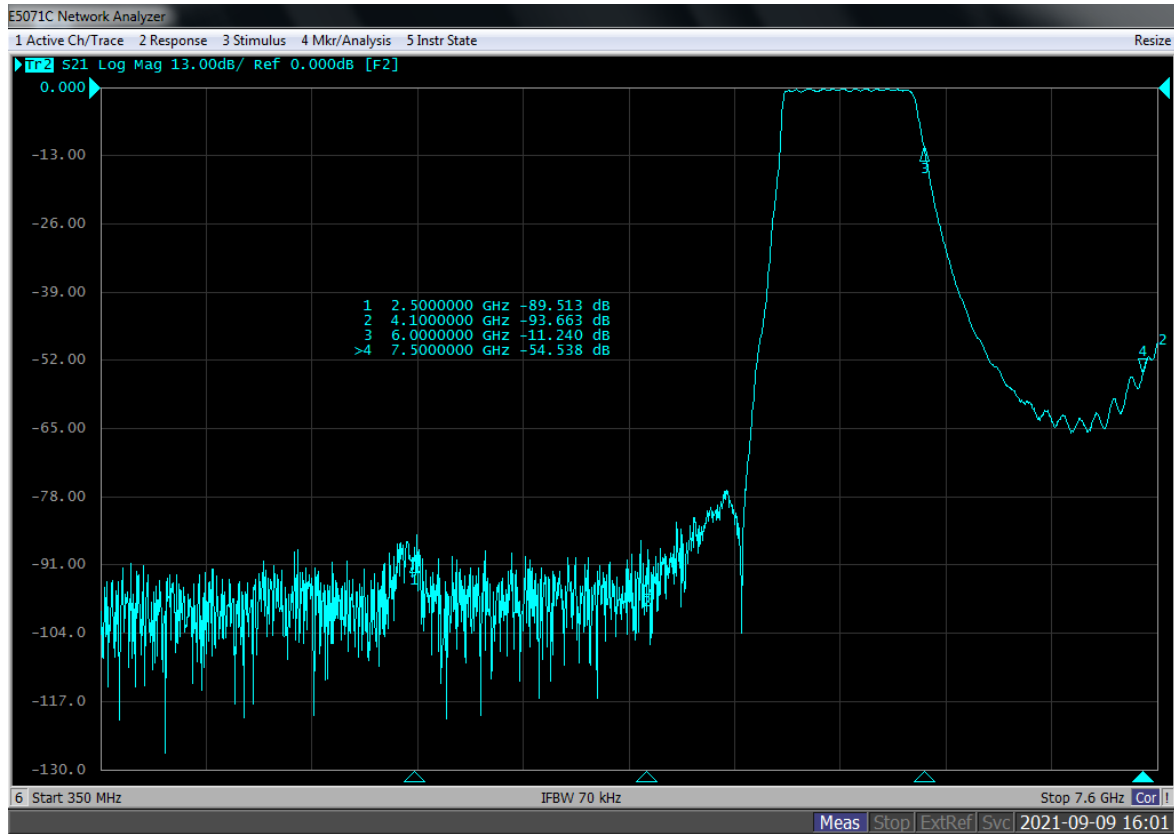


<P4 ISO>



<P5>





<P5 ISO>