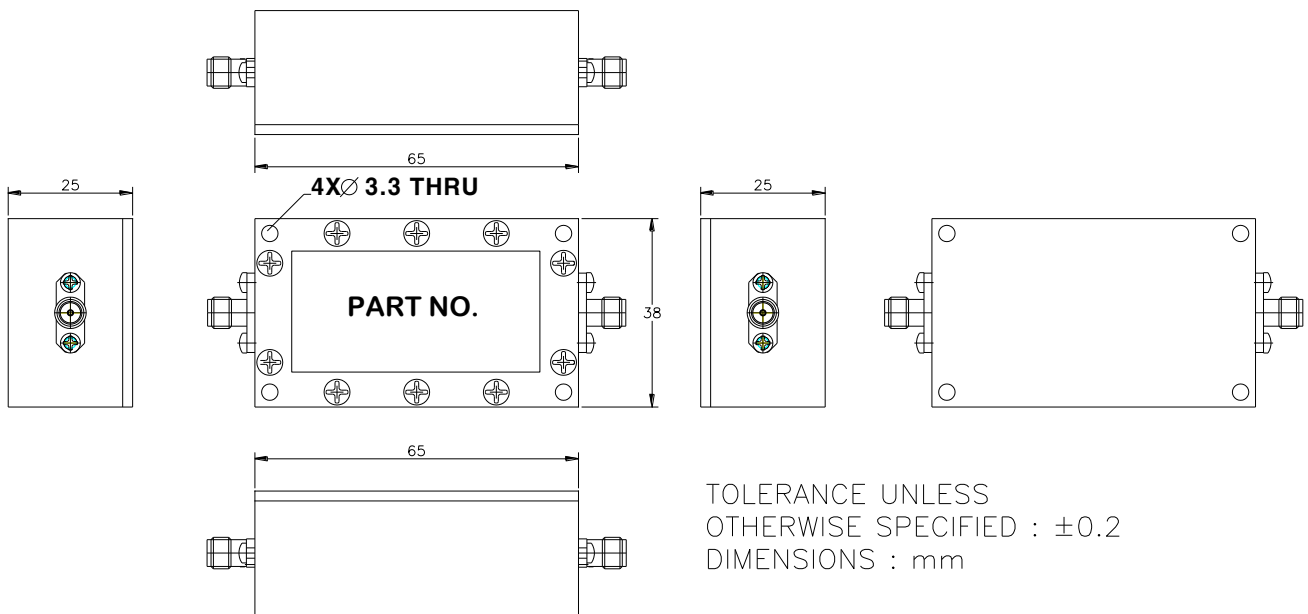


PRODUCT SPECIFICATION FOR INFORMATION

- Customer : RAFAEL.
- Product Name : LPF
- Part No : MLL400-MD-HA

Dimension



TOLERANCE UNLESS
OTHERWISE SPECIFIED : ± 0.2
DIMENSIONS : mm

1. ELECTRICAL SPECIFICATION

ITEMS	SPEC	UNIT
1 Cutoff Frequency [fc]	400.0	MHz
2 Bandwidth	DC ~ 400	MHz
3 Insertion Loss in BW	1.0	dB max.
4 Ripple in BW	-	dB max.
5 Return Loss in BW	15.0	dB min.
6 V S W R in BW	-	max.
7 Attenuation	35 dB min. at 480	MHz
8 Group Delay Variation	-	ns max
9 Input Power	3.0	W max.
10 In/Out Impedance	50 Ω	
11 Operation Temperature Range	-25°C to +75°C	

2. PLOT DATA(This is your reference only)

