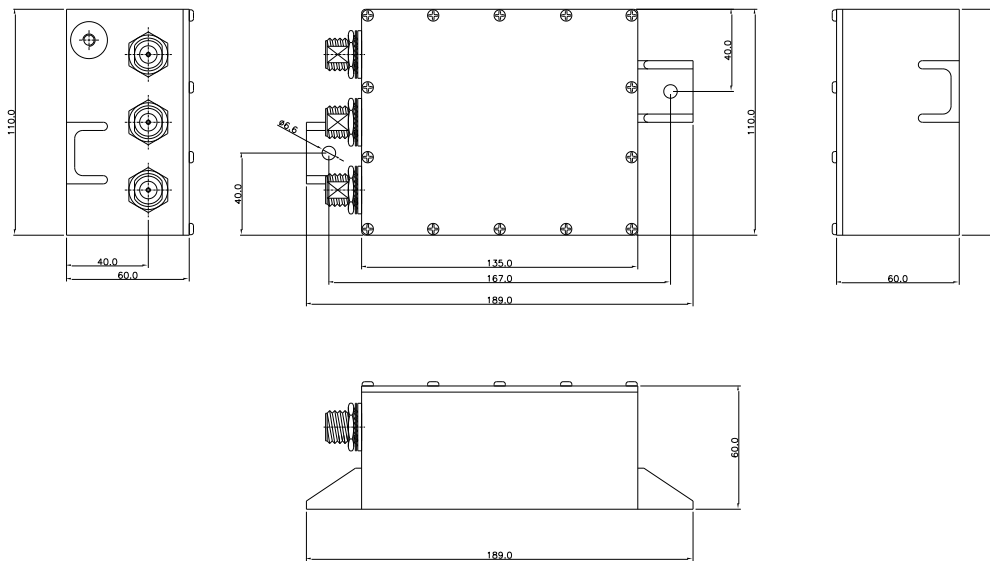


17/JUNE/2019

PRODUCT SPECIFICATION FOR INFORMATION

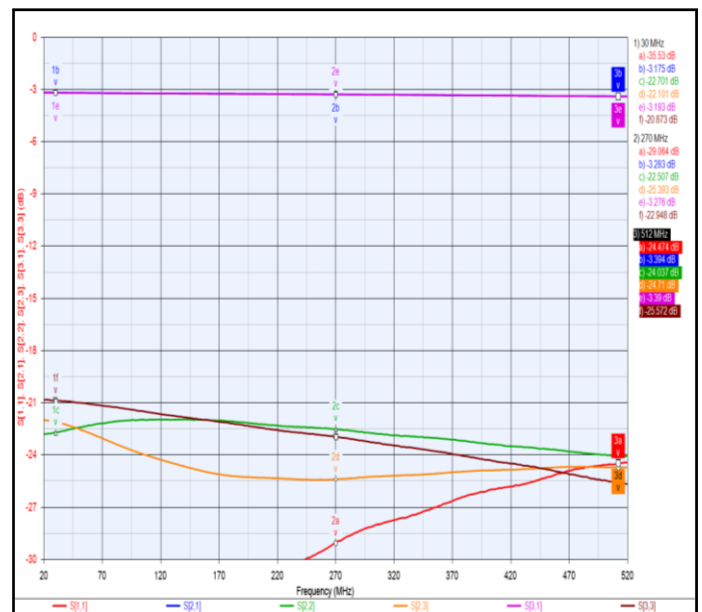
- **Product Name** :Antenna combiner
- **Part No** : MCO-30-512M_482MN-A



[Mechanical 2D Drawing]

■ Electrical Specification

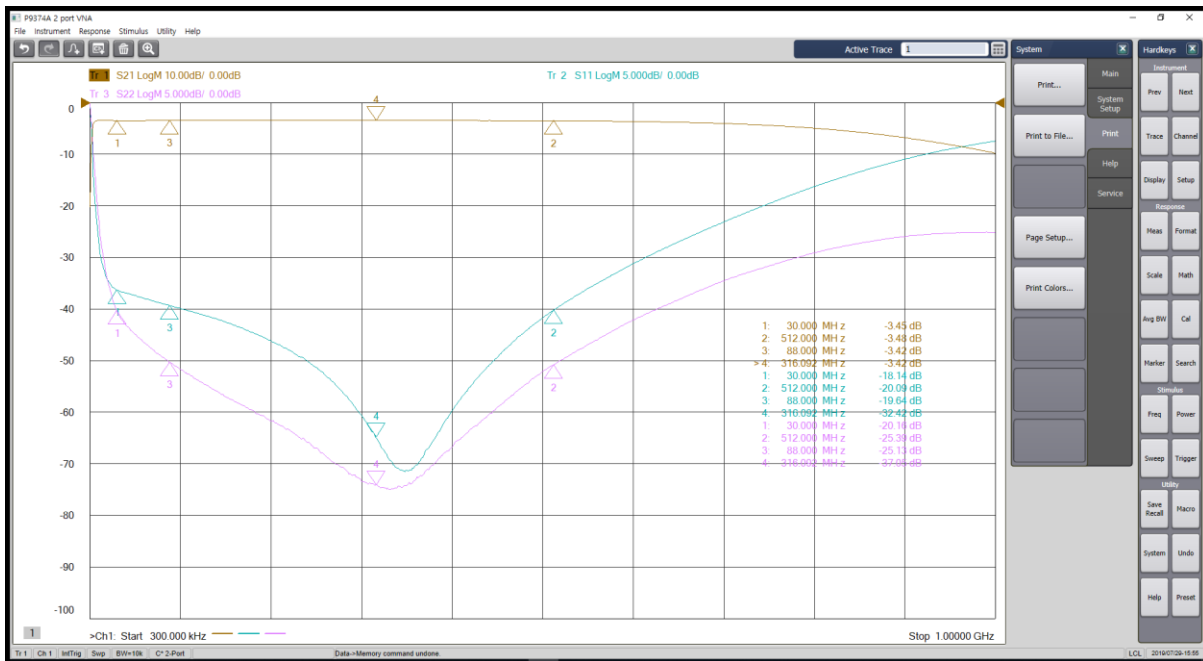
1.Frequency Range	30~512MHz
2.Bandwidth	482MHz
3.Insertion Loss (Max)	3.6dB
4.V.S.W.R	1.3:1
5.RF Power Capability CW	200W CW
6.Isolation(Min)	20dB@30~88MHz / 225~400MHz
7.Channel spacing	Any spacing(equipment defined)
8.Radio bit rate	Any rate (equipment defined)
9.Operating temp	-55 ~ +71 °C
10.Weight	1.15Kg
11.Connector	N type (F)
12.EMC	Per MIL STD 462
13.NEMP	Per AEP4/STANAG 4145
14.Environmental	Per MIL STD810/DIN 58390
15.Size (WxDxH)	189.0 x 110.0 x 60.0



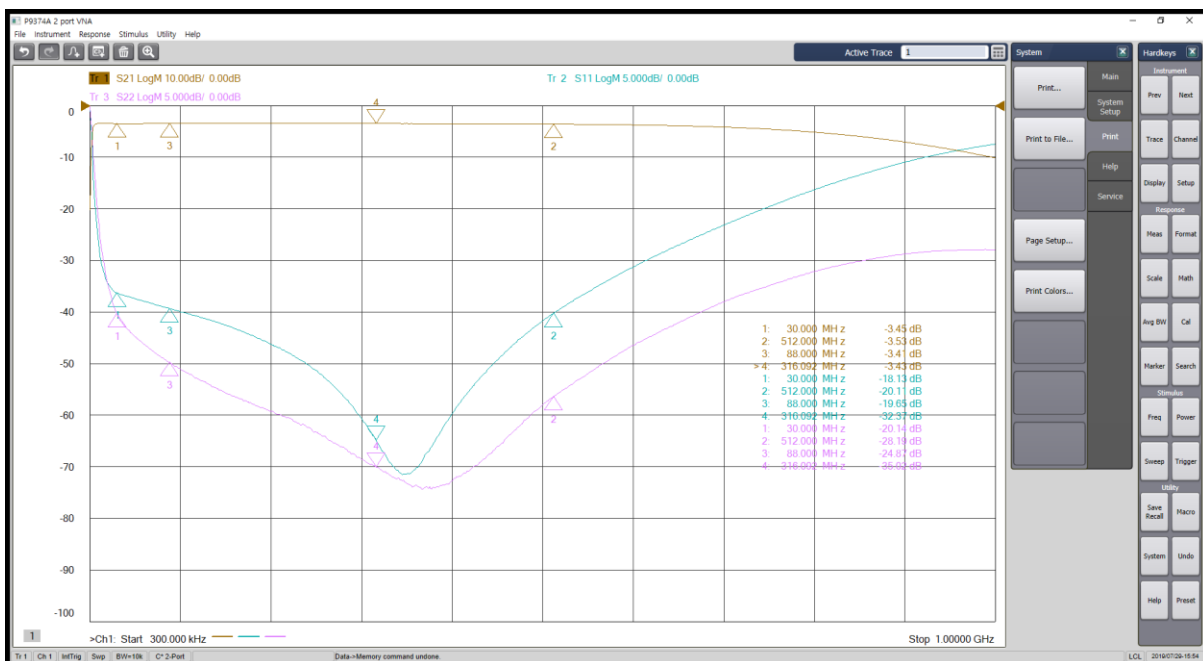
[SIMULATION CURVE]

Sample Data

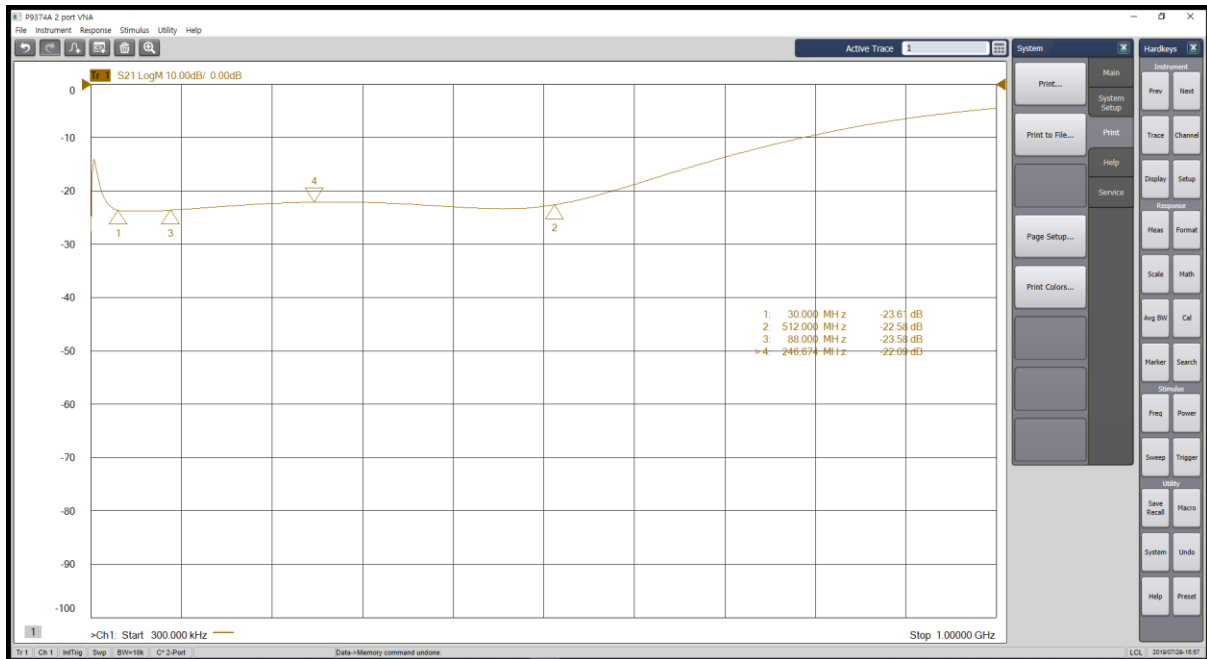
Items	Requiements	Results		Pass/Fail
		PORT1	PORT2	
Frequency Range	30~512MHz	30-512MHz	30-512MHz	Pass
Insertion Loss (Max)	3.6dB	3.48	3.53	Pass
V.S.W.R	1.3:1	18.1/20.1	18.1/20.1	Pass
RF Power Capability CW	200W CW	-	-	-
Isolation(Min)	20dB@30~88MHz /225~400MHz	22.0	22.0	Pass



[Port1]



[Port2]



[Isolation between Port1 to Port2]