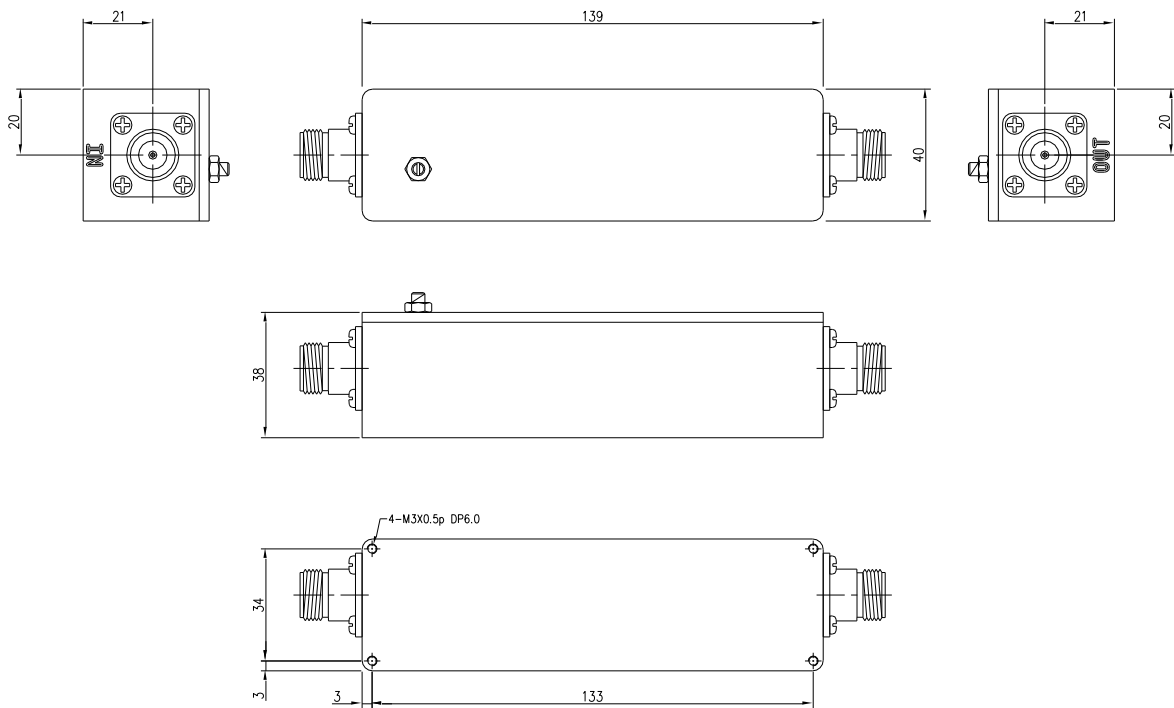


9/Sep/2019

## PRODUCT SPECIFICATION FOR INFORMATION

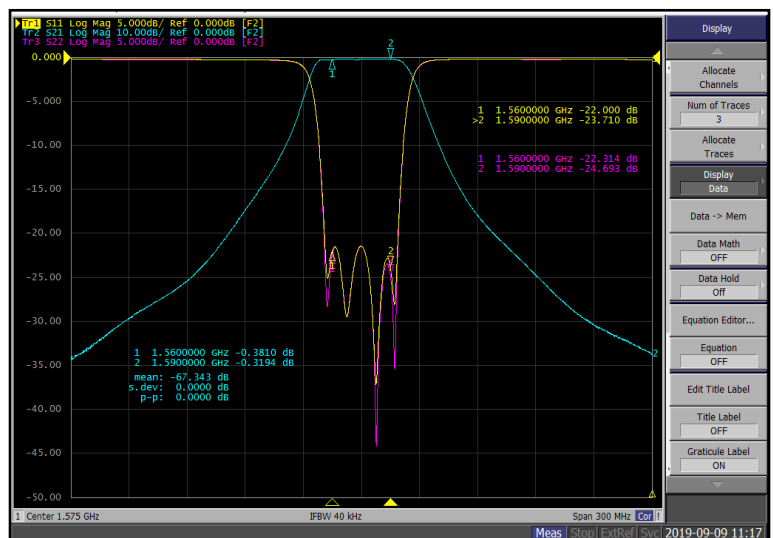
- Product Name :Band Pass Filter
- Part No : MBP-1555-1595\_40MN



[ Mechanical 2D Drawing ]

### ■ Electrical Specification

1. Frequency Range : 1560-1590MHz
2. Insertion Loss :1.0dB Max.
3. Ripple : 0.5dB Max.
4. Return Loss : 15dB Min.
5. Rejection : 50dBc Min. @ 30~520MHz
6. Impedance : 50Ω
7. Input Power : 100W CW Max
8. Connectors : N(F)
9. Size : 139.0x40.0x38.0 mm
10. Operating Temperature Range : -40~ +85°C



[ Sample Data ]